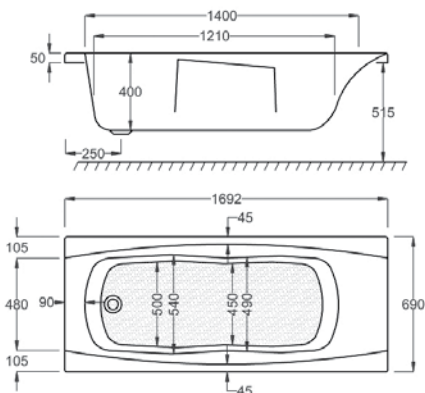


IMPERIAL TG

L 1700MM

W 700MM

| | 5MM | CARRONITE |
|-----------------------------|-----|-----------|
| IMPERIAL TG | ✓ | ✓ |
| L-SHAPED PANEL 1700x700x515 | - | ✓ |
| FRONT PANEL 1700x515 | ✓ | ✓ |
| END PANEL 700x515 | ✓ | ✓ |
| SCREEN CFS-1 (H=1400MM) | ✓ | ✓ |
| SCREEN CFS-2 (H=1500MM) | ✓ | ✓ |



Carronite



Panel

Hand
Grips

Whirlpool

WATER CAPACITY

180 LTR

This measurement is taken to the overflow

WHIRLPOOL COMPATIBLE

C-LENDA SYSTEMS

1, 2, 3, 4, 5, 6

KIT REFERENCES

STANDARD - AK-01

CARRONITE - AK-01-C