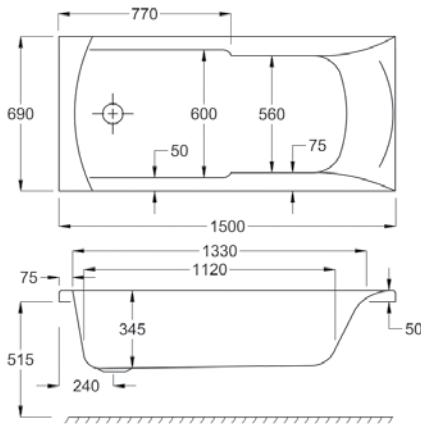


MATRIX

L 1500MM

W 700MM

	5MM	CARRONITE
MATRIX	✓	✓
L-PANEL 1500x700x515	-	✓
FRONT PANEL 1500x515	✓	✓
END PANEL 700x515	✓	✓
SCREEN CFS-1 (H=1400MM)	✓	✓
SCREEN CFS-2 (H=1500MM)	✓	✓
GRIPS CCG-2	✓	✓



Carronite



Panel



Hand Grips



Water Saver

WATER CAPACITY

131 LTR

This measurement is taken to the overflow

WHIRLPOOL COMPATIBLE

N/A

KIT REFERENCES

STANDARD - AK-02

CARRONITE - AK-02-C