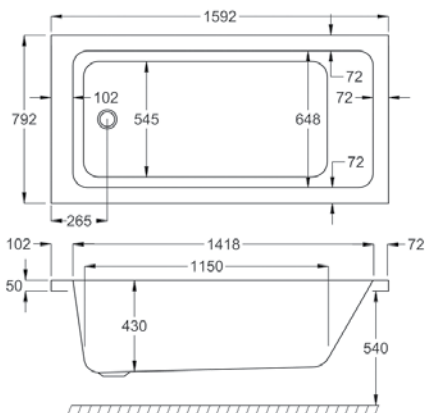
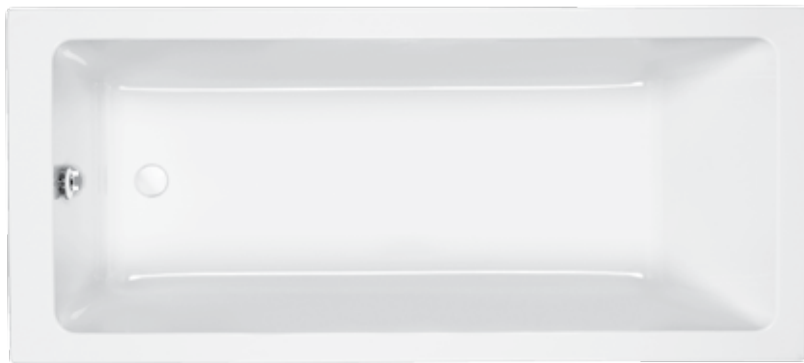


# QUANTUM SE

L 1600MM

W 800MM

	5MM	CARRONITE
<b>QUANTUM SE</b>	✓	✓
L-PANEL 1600x800x540	-	✓
FRONT PANEL 1600x540	✓	✓
END PANEL 800x540	✓	✓
SCREEN CFS-1 (H=1400MM)	✓	✓
SCREEN CFS-2 (H=1500MM)	✓	✓



Carronite



Panel



Whirlpool

## WATER CAPACITY

247 LTR

This measurement is taken to the overflow

## WHIRLPOOL COMPATIBLE

C-LENDA SYSTEMS

1, 2, 3, 4, 5, 6

## KIT REFERENCES

STANDARD - AK-03

CARRONITE - AK-03-C