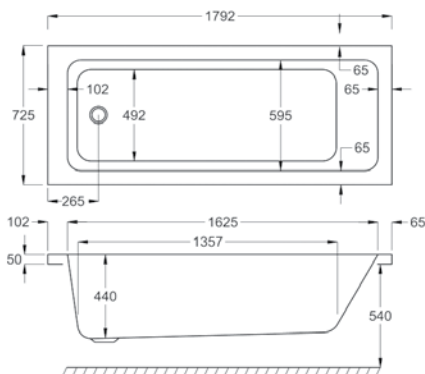
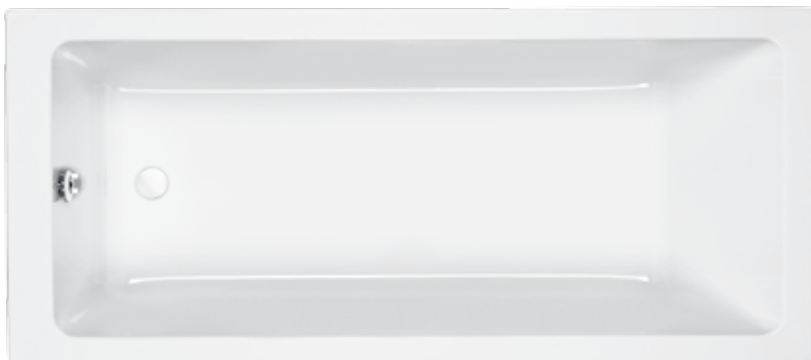


# QUANTUM SE

		5MM	CARRONITE
L 1800MM	QUANTUM SE	✓	✓
W 725MM	FRONT PANEL 1800x540	✓	✓
	END PANEL 725x540	✓	✓
	SCREEN CFS-1 (H=1400MM)	✓	✓
	SCREEN CFS-2 (H=1500MM)	✓	✓



Carronite



Panel



Whirlpool

## WATER CAPACITY

266 LTR

This measurement is taken to the overflow

## WHIRLPOOL COMPATIBLE

C-LENDA SYSTEMS

1, 2, 3, 4, 5, 6

## KIT REFERENCES

STANDARD - AK-01

CARRONITE - AK-01-C