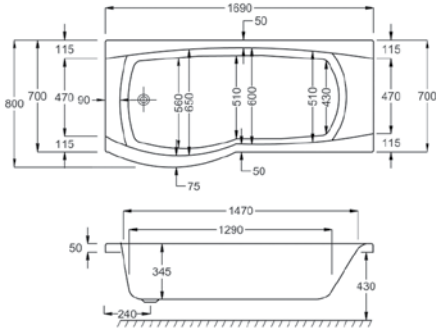


ASPECT

L 1700MM
W 700-800MM

	5MM	CARRONITE
ASPECT SHOWERBATH	✓	✓
ASPECT FRONT PANEL	✓	✓
ASPECT END PANEL	✓	✓
SCREEN CSS-1	✓	✓
SET (BATH, SCREEN, FRONT PANEL)	✓	✓



Left hand and right hand baths available.
Left hand bath shown.



Carronite



Panel



Ease of Access



Water Saver

WATER CAPACITY

190 LTR

This measurement is taken to the overflow

WHIRLPOOL COMPATIBLE

N/A

KIT REFERENCES

STANDARD - AK-04

CARRONITE - AK-04-C