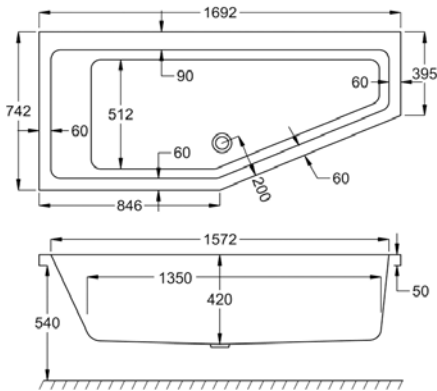


# QUANTUM SPACESAVER

L 1700MM  
W 750 - 400MM

	5MM	CARRONITE
QUANTUM SPACESAVER	✓	✓
FRONT PANEL SPACE SAVER	✓	✓
END PANEL SPACE SAVER	✓	✓
SCREEN QSS-2	✓	✓
SCREEN CFS-1 (H=1400MM)	✓	✓



Left hand and right hand baths available.  
Right hand bath shown.

QSS Hinged Screen recommended.



Carronite



Panel



Whirlpool

## WATER CAPACITY

211 LTR

This measurement is taken to the overflow

## WHIRLPOOL COMPATIBLE

C-LENDA SYSTEMS

1 & 4

## KIT REFERENCES

STANDARD - AK-10-C

CARRONITE - AK-10-C