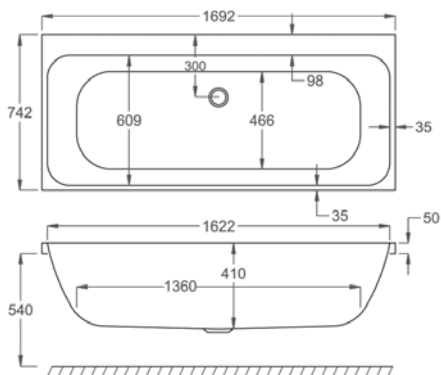


PROFILE DUO

L 1700MM
W 750MM

| | 5MM | CARRONITE |
|-----------------------------|-----|-----------|
| PROFILE DUO | ✓ | ✓ |
| L-SHAPED PANEL 1700x750x540 | - | ✓ |
| FRONT PANEL 1700x540 | ✓ | ✓ |
| END PANEL 750x540 | ✓ | ✓ |
| SCREEN CFS-1 (H=1400MM) | ✓ | ✓ |
| SCREEN CFS-2 (H=1500MM) | ✓ | ✓ |



Carronite



Panel

WATER CAPACITY

230 LTR

This measurement is taken to the overflow

WHIRLPOOL COMPATIBLE

N/A

KIT REFERENCES

STANDARD - AK-03

CARRONITE - AK-03-C