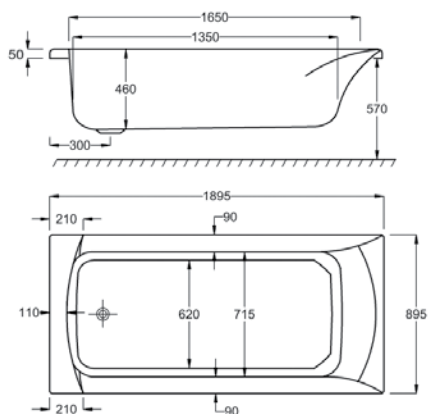


# SIGMA

L 1900MM  
W 900MM

	5MM	CARRONITE
<b>SIGMA</b>	✓	✓
FRONT PANEL 1900x570	✓	✓
END PANEL 900x570	✓	✓
SCREEN CFS-1 (H=1400MM)	✓	✓
SCREEN CFS-2 (H=1500MM)	✓	✓
GRIPS CCG-1	✓	✓



Carronite



Panel



Hand  
Grips



Whirlpool

## WATER CAPACITY

350 LTR

This measurement is taken to the overflow

## WHIRLPOOL COMPATIBLE

C-LENDA SYSTEMS

1, 2, 3, 4, 5, 6

## KIT REFERENCES

STANDARD - AK-03

CARRONITE - AK-03-C