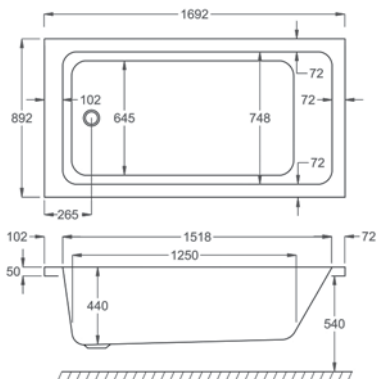
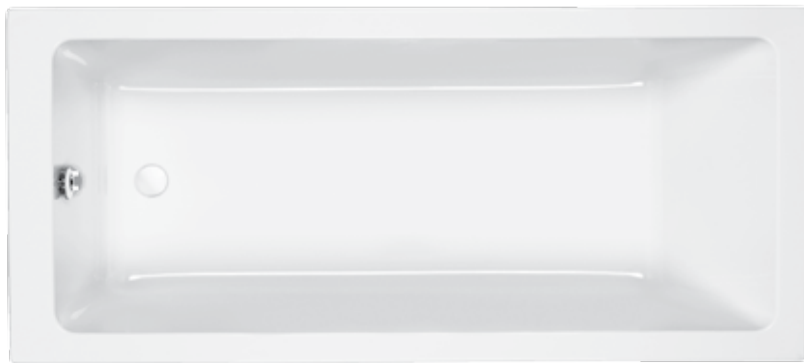


# QUANTUM SE

L 1700MM

W 900MM

|                         | 5MM | CARRONITE |
|-------------------------|-----|-----------|
| <b>QUANTUM SE</b>       | ✓   | ✓         |
| FRONT PANEL 1700x540    | ✓   | ✓         |
| END PANEL 900x540       | ✓   | ✓         |
| SCREEN CFS-1 (H=1400MM) | ✓   | ✓         |
| SCREEN CFS-2 (H=1500MM) | ✓   | ✓         |



Carronite



Panel



Whirlpool

## WATER CAPACITY

318 LTR

This measurement is taken to the overflow

## WHIRLPOOL COMPATIBLE

C-LENDA SYSTEMS

1, 2, 3, 4, 5, 6

## KIT REFERENCES

STANDARD - AK-03

CARRONITE - AK-03-C