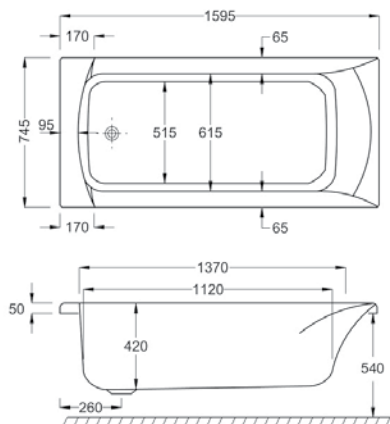


SIGMA

L 1600MM

W 750MM

	5MM	CARRONITE
SIGMA	✓	✓
L-PANEL 1600x750x540	-	✓
FRONT PANEL 1600x540	✓	✓
END PANEL 750x540	✓	✓
SCREEN CFS-1 (H=1400MM)	✓	✓
SCREEN CFS-2 (H=1500MM)	✓	✓
GRIPS CCG-1	✓	✓



Carronite



Panel



Hand
Grips



Whirlpool

WATER CAPACITY

175 LTR

This measurement is taken to the overflow

WHIRLPOOL COMPATIBLE

C-LENDA SYSTEMS

1, 2, 3, 4, 5, 6

KIT REFERENCES

STANDARD - AK-01

CARRONITE - AK-01-C