



013R9330

013R9330

Plastic pipes

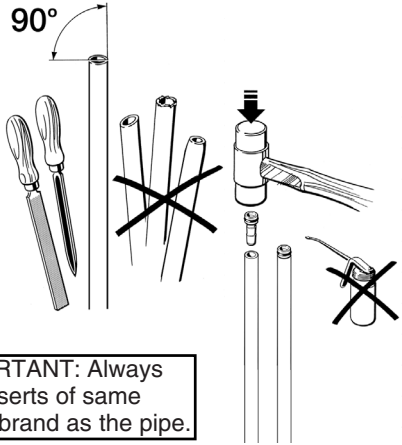
According to BS 7291:
Max. 92 °C, 3 bar.

Copper pipes

According to BS 2871
part 1 / BS EN 1057:
Max. 92 °C, 3 bar.

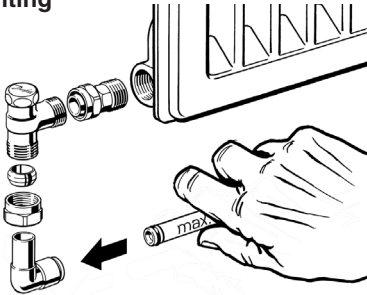
Cutting the pipes

1. Cut the pipe square ensuring it is free of score marks. For plastic pipes we recommend the use of a plastic pipe cutter. Do not use a hacksaw.
2. To avoid damage to the pipe insert make sure burrs and sharp edges are removed.
3. Insert the pipe insert into the plastic pipe. Do not use any lubricant.

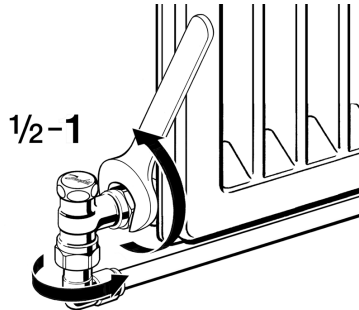


IMPORTANT: Always use inserts of same make/brand as the pipe.

Mounting



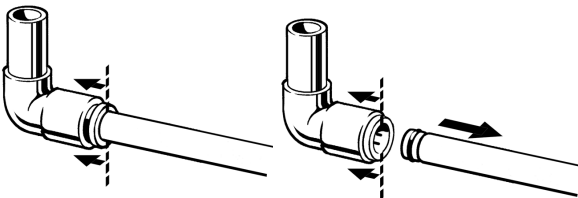
Ensure the pipe is pushed to the pipe stop.



IMPORTANT:
Both nuts have to be tightened.

It is good practice to check the fitting before use; pull the pipe back to check it is secure.

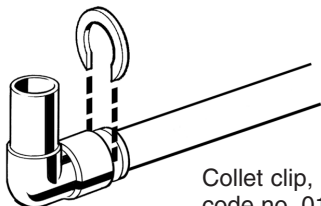
Dismounting



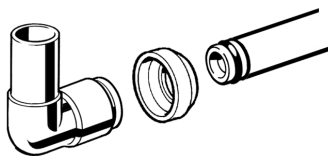
IMPORTANT:
Ensure system is depressurised before removing fitting. Push in collet squarely against face of fitting. With the collet held in this position, the pipe can be removed. The fitting can then be re-used.

Collet cover and collet clip

Collet covers or collet clips provide added security against unintended pipe disconnection.

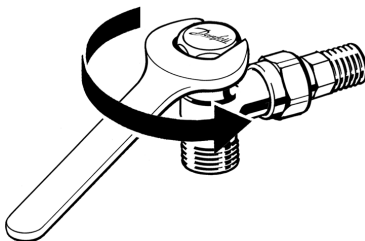


Collet clip,
code no. 013G4913 (10 pcs.)

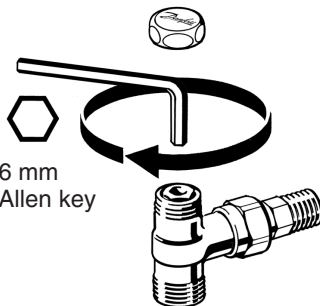


Collet cover,
code no. 013G4912 (10 pcs.)

Removal of protective cap

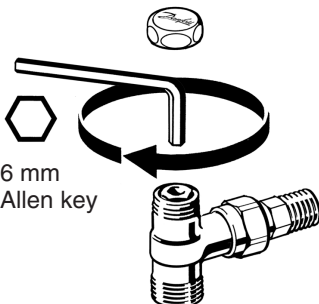


Blocking



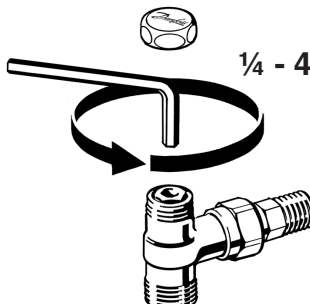
6 mm
Allen key

Setting and regulation



6 mm
Allen key

Turn till stop.



$\frac{1}{4}$ - 4

Turn back: $\frac{1}{4}$ - 4 rev.