

Technical Datasheet

Product Code: SY-VOD6SD002B-D



Product Description: Synergy Vodas 6+ 2 Door sliding Quad 900X900x1900

Specification

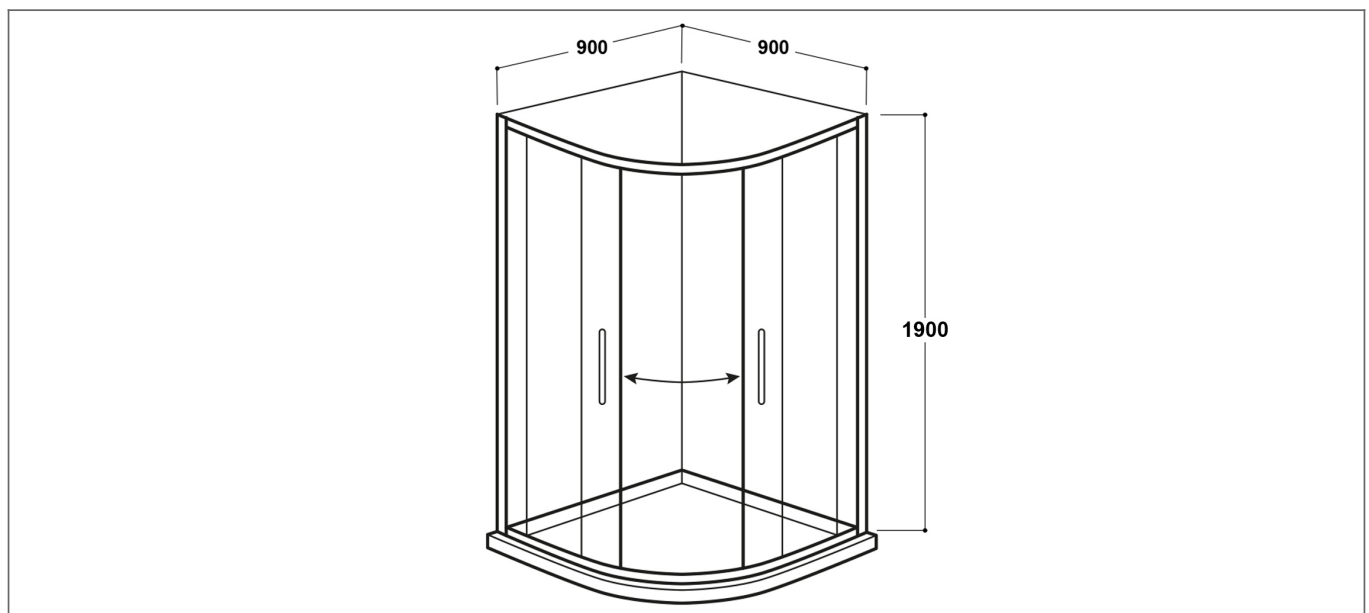
Material:	Glass
Style:	Modern
Shape:	Quadrant
Colour:	Black
Orientation:	Vertical
Glass Style:	Tempered
Handle Type:	Bar
Product Guarantee:	Lifetime
Number Of Doors:	2
Barcode:	5056474501265
Product Length (mm):	60
Product Width (mm):	900
Product Height (mm):	1900



Key Features

- Quadrant designs are a space saving solution which are perfectly suited for smaller bathrooms
- Manufactured from high quality 6mm safety glass (5mm fixed panel)
- Glass is coated in a nano technology preventing limescale
- Framed designs provide more stability & are more watertight
- Benefits from quality magnetic soft closing seals
- Features quick release double roller for easy access
- Includes black plated cover caps & handles

Technical Drawing



Dimensions: All measurements are in millimetres and are subject to normal manufacturing variations.

Due to a continuing development programme to improve design and performance, we reserve all rights to vary specifications without prior notice. Please note, all accessories are for photographic purposes only.