

Technical Datasheet

Product Code: **TSK001**



Product Description: **Eroqua Chrome Slide Rail Set**

Specification

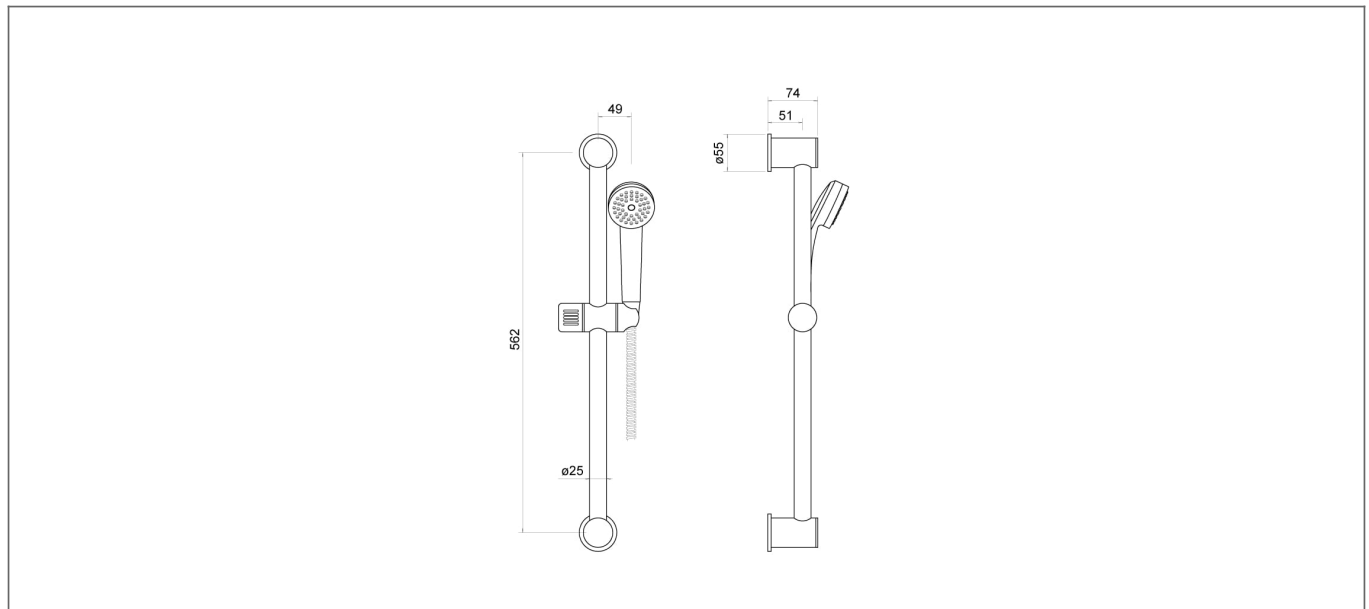
Product Guarantee:	Lifetime
Material:	Brass
Style:	Modern
Range Name:	Eroqua
Shape:	Round
Colour:	Chrome
Barcode:	5056474502583
Packaged Weight (kg):	0.802 kg
Packaged Length (Metre):	0.65
Packaged Width (Metre):	0.115
Packaged Height (Metre):	0.115



Key Features

- Clean structural lines make this piece the perfect match for both modern & traditional spaces
- Manufactured from high quality brass
- For piece of mind, this product comes with a market leading lifetime guarantee
- High quality, long lasting chrome finish to compliment any style of bathroom
- Part of our fantastic Trisen range of taps & showers, exclusively distributed by Robert Lee

Technical Drawing



Dimensions: All measurements are in millimetres and are subject to normal manufacturing variations.

Due to a continuing development programme to improve design and performance, we reserve all rights to vary specifications without prior notice. Please note, all accessories are for photographic purposes only.