

Technical Datasheet

Product Code: TSS105



Product Description: Everi Fixed Overhead Concealed Thermostatic Shower

Specification

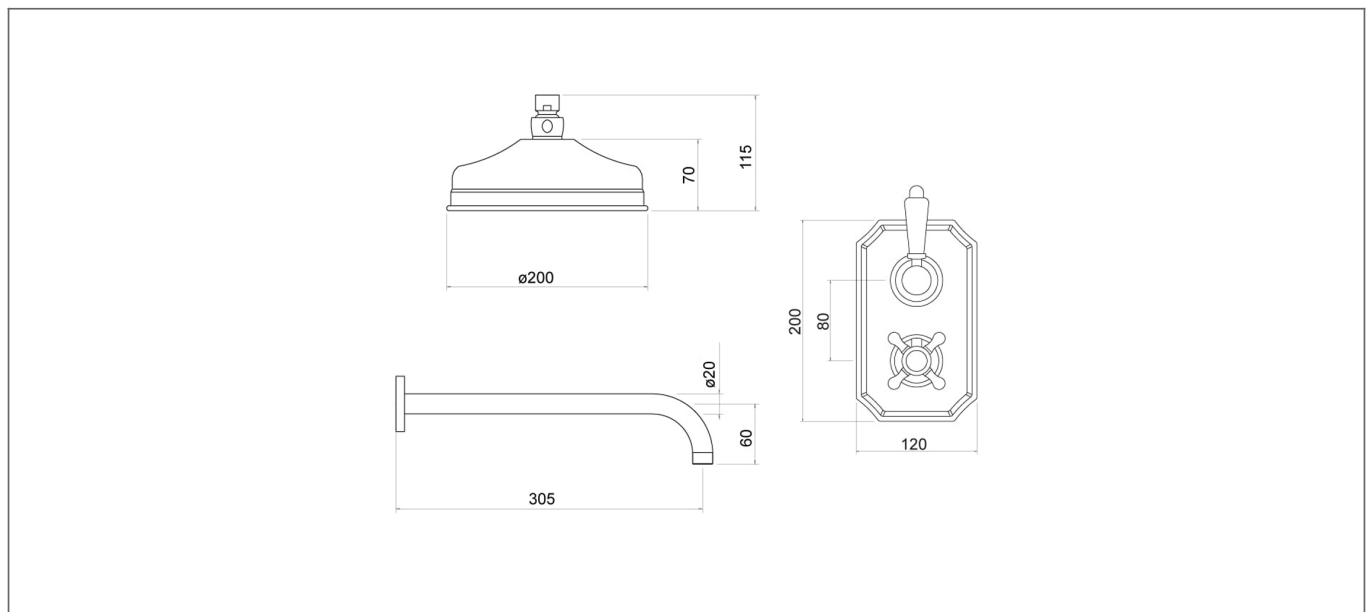
| | |
|-------------------------|------------------------|
| Product Guarantee: | Lifetime |
| Barcode: | 5056474502521 |
| Packaged Weight (kg): | 4.555 kg |
| Material: | Brass |
| Style: | Traditional |
| Min Operating Pressure: | 0.5 Bar |
| Number Of Outlets: | 1 |
| Handle Type: | Crosshead |
| Valve Type: | Concealed Thermostatic |



Key Features

- Lever handle for smooth operation and precise water control
- Manufactured from high quality brass
- For piece of mind, this product comes with a market leading lifetime guarantee
- High quality, long lasting chrome finish to compliment any style of bathroom
- Part of our fantastic Trisen range of taps & showers, exclusively distributed by Robert Lee

Technical Drawing



Dimensions: All measurements are in millimetres and are subject to normal manufacturing variations.

Due to a continuing development programme to improve design and performance, we reserve all rights to vary specifications without prior notice. Please note, all accessories are for photographic purposes only.