

Technical Datasheet

Product Code: TT705



Product Description: **Grove Chrome Bath Filler**

Specification

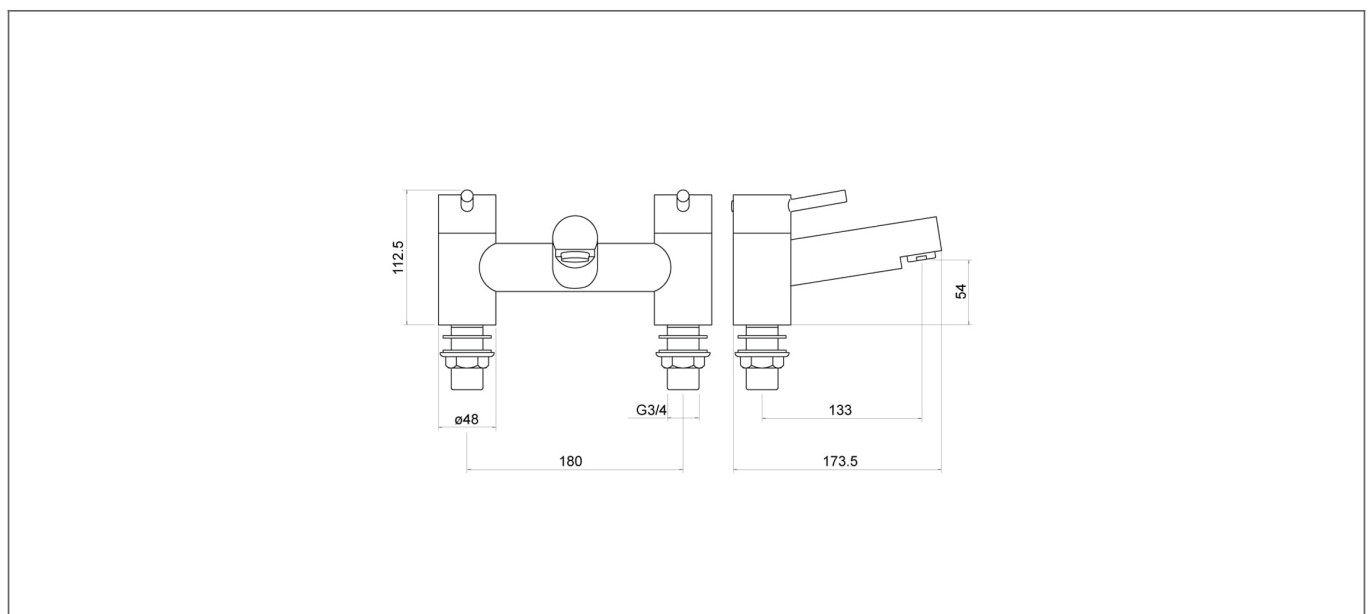
| | |
|----------------------------|---------------|
| Product Guarantee: | Lifetime |
| Barcode: | 5056474502293 |
| Material: | Brass |
| Handle Type: | Lever |
| Tap Pressure: | Low Pressure |
| Min Operating Pressure: | 0.2 Bar |
| Number Of Tap Holes: | 2 |
| Projection (mm): | 173.5 |
| Flow Rate 0.1 Bar (L/min): | 15.6 |
| Flow Rate 0.5 Bar (L/min): | 23.6 |
| Flow Rate 1 Bar (L/min): | 32.9 |
| Flow Rate 2 Bar (L/min): | 46.3 |
| Flow Rate 3 Bar (L/min): | 57.1 |
| Colour: | Chrome |



Key Features

- Lever handle for smooth operation and precise water control
- Manufactured from high quality brass
- For piece of mind, this product comes with a market leading lifetime guarantee
- High quality, long lasting chrome finish to compliment any style of bathroom
- Part of our fantastic Trisen range of taps & showers, exclusively distributed by Robert Lee
- Complete with ½" flexible tails

Technical Drawing



Dimensions: All measurements are in millimetres and are subject to normal manufacturing variations.

Due to a continuing development programme to improve design and performance, we reserve all rights to vary specifications without prior notice. Please note, all accessories are for photographic purposes only.