

Technical Datasheet

Product Code: SY-XQ07-N



Product Description: Synergy Tec Studio XQ Mini Basin Mono Mixer

Specification

Product Guarantee:	Lifetime
Barcode:	SY-XQ07-N
Material:	Brass
Handle Type:	Lever
Tap Pressure:	Low - High Pressure
Min Operating Pressure:	0.2 Bar
Waste Included:	Yes
Number Of Tap Holes:	1
Approvals:	WRAS Approved
Projection (mm):	110
Flow Rate 0.1 Bar (L/min):	1.5
Flow Rate 0.5 Bar (L/min):	4.9
Flow Rate 1 Bar (L/min):	7.5
Flow Rate 2 Bar (L/min):	11
Flow Rate 3 Bar (L/min):	13.2
Colour:	Chrome



Key Features

- Soft round edges to give your room a relaxing feel
- Manufactured from high quality brass
- Coated in a luxury chrome finish
- Features lever control for a flawless level flow
- Ceramic disc technology for long life & smooth operation
- Click clack waste included

Dimensions: All measurements are in millimetres and are subject to normal manufacturing variations.

Due to a continuing development programme to improve design and performance, we reserve all rights to vary specifications without prior notice. Please note, all accessories are for photographic purposes only.

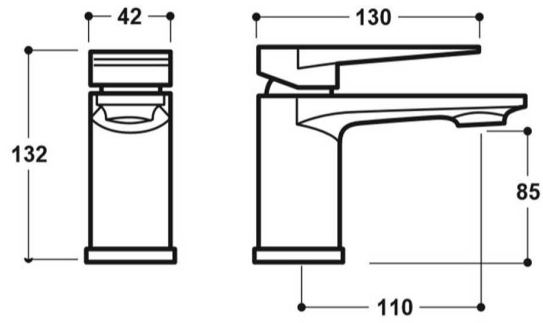
Technical Datasheet

Product Code: SY-XQ07-N



Product Description: Synergy Tec Studio XQ Mini Basin Mono Mixer

Technical Drawing



Dimensions: All measurements are in millimetres and are subject to normal manufacturing variations.

Due to a continuing development programme to improve design and performance, we reserve all rights to vary specifications without prior notice. Please note, all accessories are for photographic purposes only.