

Technical Datasheet

Product Code: **SY-SR02K**



Product Description: **Synergy Black Round Shower Slider Rail Kit**

Specification

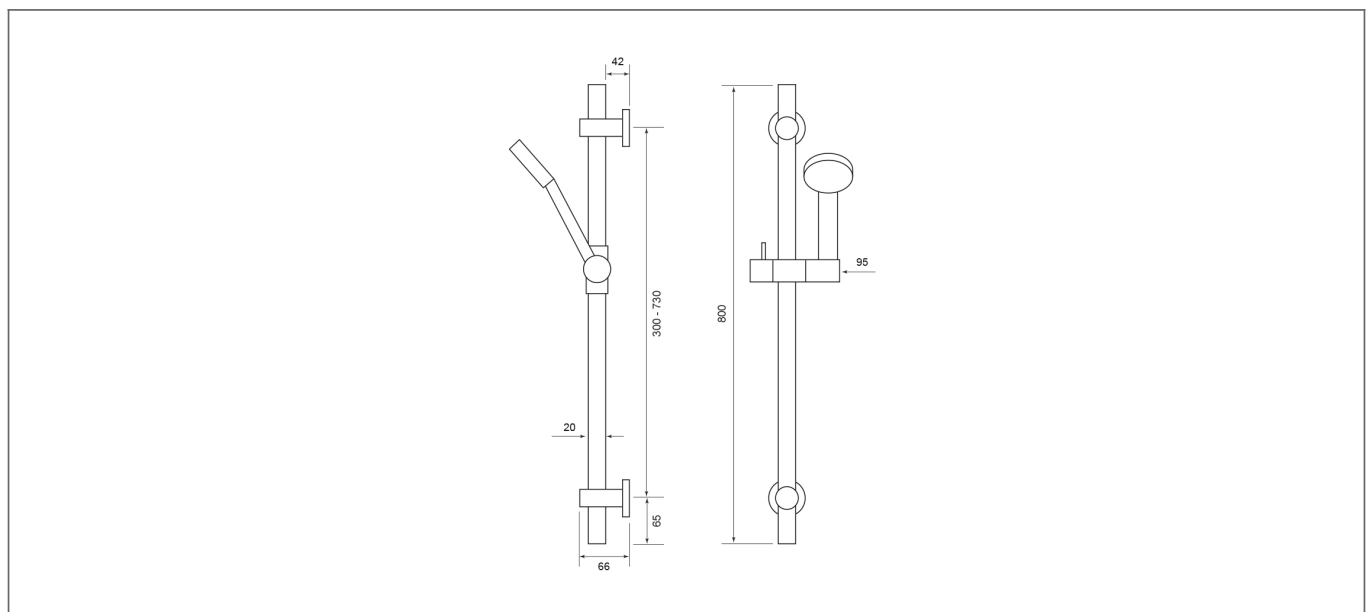
Product Guarantee:	Lifetime
Material:	Stainless Steel
Style:	Modern
Shape:	Round
Colour:	Black
Barcode:	1729199974358
Packaged Weight (kg):	1.45 kg
Packaged Length (Metre):	0.04
Packaged Width (Metre):	0.031
Packaged Height (Metre):	0.085



Key Features

- Create an aesthetic that is part of the constantly evolving contemporary style of present day
- Manufactured from high quality stainless steel
- Coated in a luxury black finish
- Height is adjustable to suit your bathroom needs
- Suitable to be used with all water pressures
- Complete with elbow for a quick installation
- Also available in a sleek square design

Technical Drawing



Dimensions: All measurements are in millimetres and are subject to normal manufacturing variations.

Due to a continuing development programme to improve design and performance, we reserve all rights to vary specifications without prior notice. Please note, all accessories are for photographic purposes only.