

Technical Datasheet

Product Code: SY-SC03-N



Product Description: Synergy Tec Studio SC Bath Filler

Specification

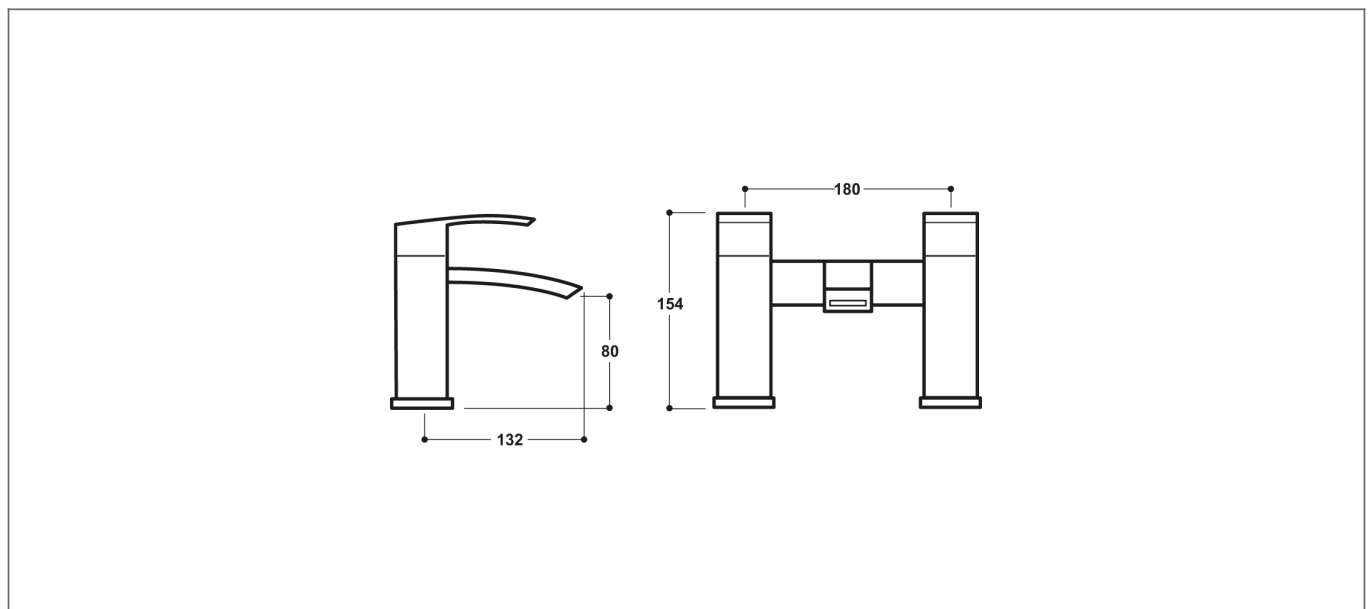
Product Guarantee:	Lifetime
Barcode:	5300614873669
Material:	Brass
Handle Type:	Lever
Tap Pressure:	Low - High Pressure
Min Operating Pressure:	0.2 Bar
Waste Included:	No
Number Of Tap Holes:	2
Projection (mm):	132
Colour:	Chrome



Key Features

- Squared off edges & clean lines for a fresh new bathroom
- Manufactured from high quality brass
- Coated in a luxury chrome finish
- Features lever control for a flawless level flow
- Includes a waterfall spout for an even flow of water
- Ceramic disc technology for long life & smooth operation

Technical Drawing



Dimensions: All measurements are in millimetres and are subject to normal manufacturing variations.

Due to a continuing development programme to improve design and performance, we reserve all rights to vary specifications without prior notice. Please note, all accessories are for photographic purposes only.