

Technical Datasheet

Product Code: **SY-TOP350**



Product Description: **Synergy Linea 600mm 1 Tap Hole Basin**

Specification

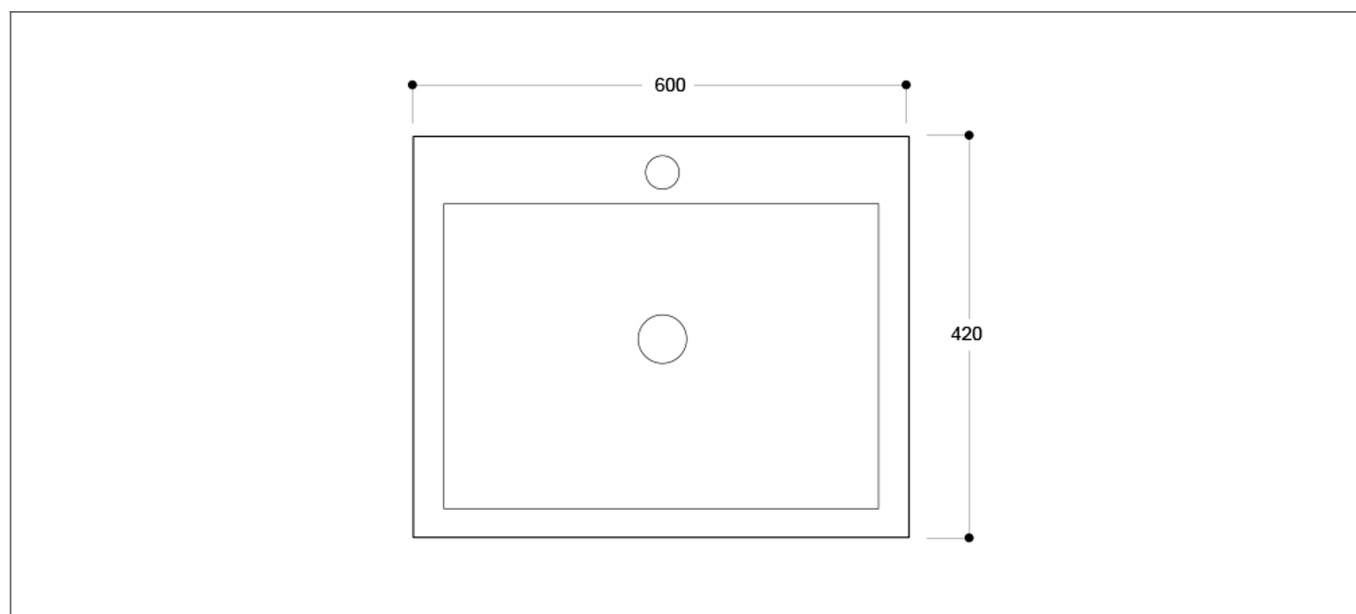
Product Guarantee:	Lifetime
Barcode:	SY-TOP350
Projection (mm):	420
Material:	Ceramic
Style:	Traditional
Shape:	Rectangular
Number Of Tap Holes:	1



Key Features

- Clean, straight lines, uncluttered spaces. Embrace modernistic style from the 20th century
- The natural raw materials make ceramic hard wearing, scratch-proof & resistant to limescale
- Space saving design ideal for furniture use
- Features 1 tap hole suitable for mono basin mixer use
- Compatible with Float & Linea basin ranges
- Alternatively available in 800 & 1200mm (1200mm is x2 600mm)
- Matching furniture is available from the Linea range

Technical Drawing



Dimensions: All measurements are in millimetres and are subject to normal manufacturing variations.

Due to a continuing development programme to improve design and performance, we reserve all rights to vary specifications without prior notice. Please note, all accessories are for photographic purposes only.