

# Technical Datasheet

Product Code: SY-ANGELPANBLK

Product Description: Angel Rimless Ceramic Pan in Black



## Specification

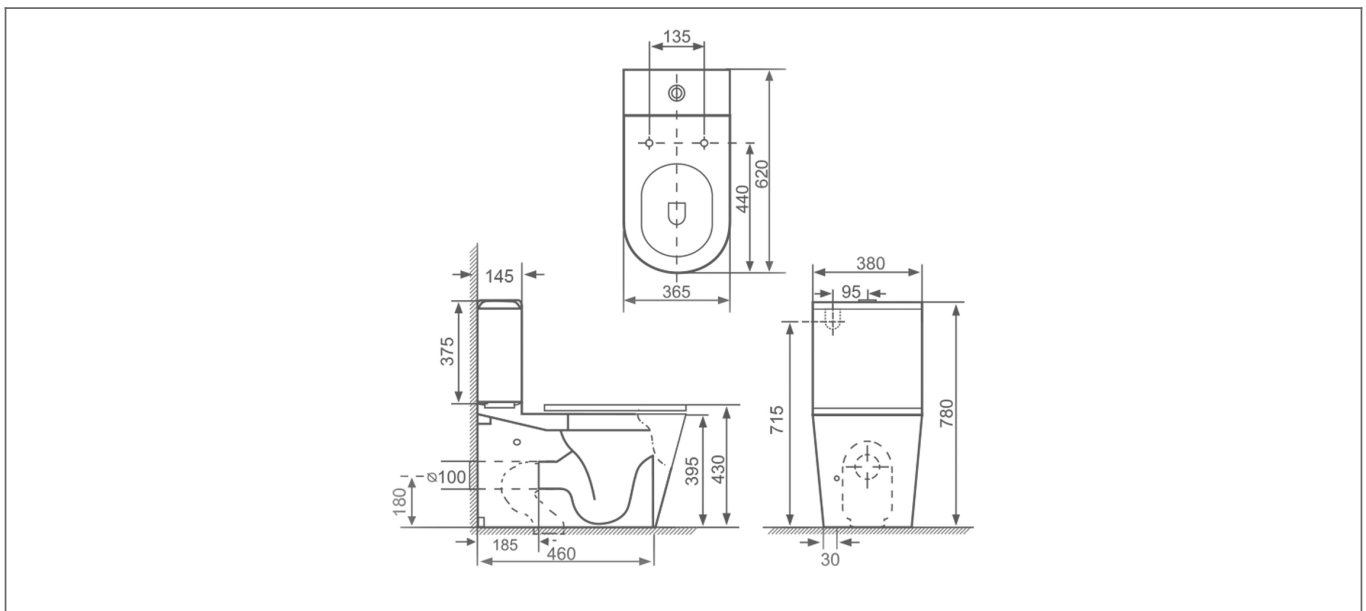
Product Guarantee:	Lifetime
Barcode:	5056474544682
Packaged Weight (kg):	35 kg
Material:	Ceramic
Projection:	620
Style:	Modern
Includes Seat:	No



## Key Features

- Pure & luxurious modern design ideal to boost your bathroom décor
- The natural raw materials make ceramic hard wearing, scratch-proof & resistant to limescale
- Close Coupled back to wall pan hides unsightly pipework
- Rimless technology makes it easier to clean & reduces limescale build up
- Optional soft close seat is available from this range

## Technical Drawing



Dimensions: All measurements are in millimetres and are subject to normal manufacturing variations.

Due to a continuing development programme to improve design and performance, we reserve all rights to vary specifications without prior notice. Please note, all accessories are for photographic purposes only.