

# Technical Datasheet

Product Code: **SY-G08K**



Product Description: **Synergy Tec Studio G Tall Cold Start Black Mono Mixer**

## Specification

Product Guarantee:	Lifetime
Barcode:	0729557187728
Material:	Brass
Handle Type:	Lever
Tap Pressure:	Low - High Pressure
Min Operating Pressure:	0.2 Bar
Waste Included:	No
Number Of Tap Holes:	1
Projection (mm):	165
Flow Rate 0.1 Bar (L/min):	3.8
Flow Rate 0.5 Bar (L/min):	9.1
Flow Rate 1 Bar (L/min):	12.3
Flow Rate 2 Bar (L/min):	14.7
Flow Rate 3 Bar (L/min):	17.3
Colour:	Black



## Key Features

- Clean, straight lines, uncluttered spaces. Embrace modernistic style from the 20th century
- Manufactured from high quality brass & zinc alloy single lever
- Coated in a luxury sleek black finish
- Eco friendly cold start mixer reduces up to 40% hot water usage
- Matching brassware is also available in the Studio G range
- Waste is not included

Dimensions: All measurements are in millimetres and are subject to normal manufacturing variations.

Due to a continuing development programme to improve design and performance, we reserve all rights to vary specifications without prior notice. Please note, all accessories are for photographic purposes only.

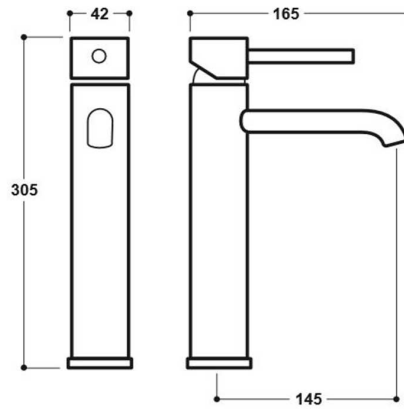
# Technical Datasheet

Product Code: SY-G08K



Product Description: Synergy Tec Studio G Tall Cold Start Black Mono Mixer

## Technical Drawing



Dimensions: All measurements are in millimetres and are subject to normal manufacturing variations.

Due to a continuing development programme to improve design and performance, we reserve all rights to vary specifications without prior notice. Please note, all accessories are for photographic purposes only.