

Technical Datasheet

Product Code: **SY-CV01B-N**



Product Description: **Synergy Twin Round Concealed Chrome Thermostatic Valve**

Specification

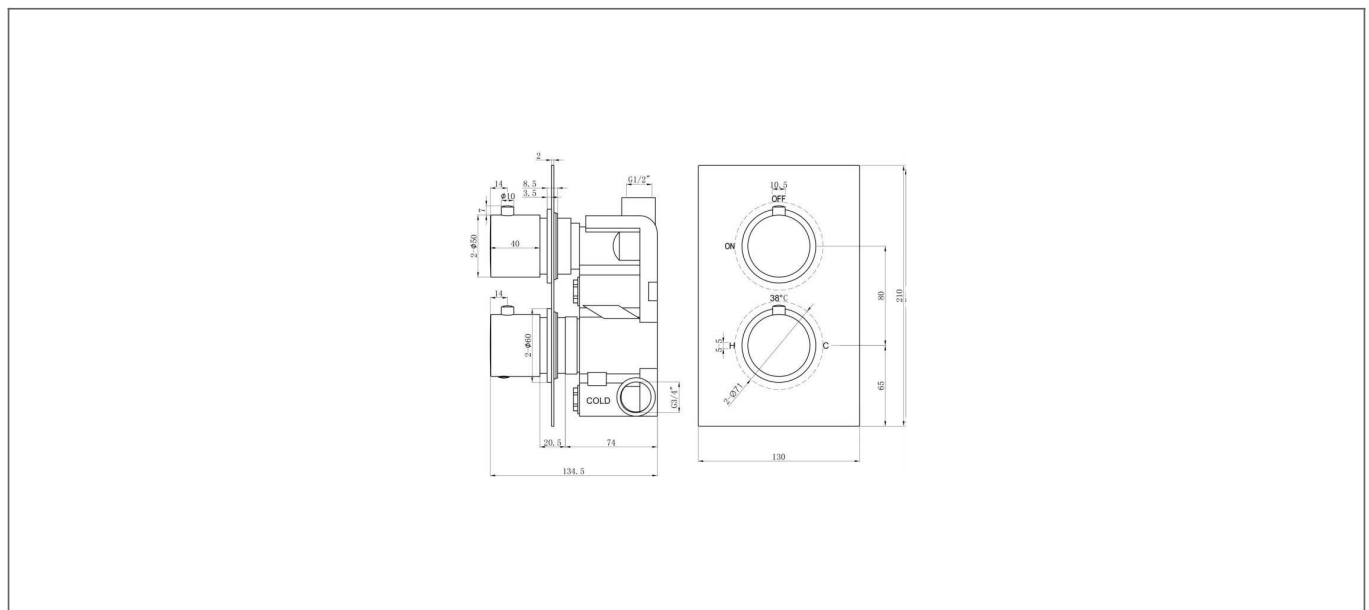
Product Guarantee:	Lifetime
Barcode:	7081242747123
Material:	Brass
Handle Type:	Knob
Min Operating Pressure:	0.5 Bar
Approvals:	WRAS & TMV2 Approved
Flow Rate 0.5 Bar (L/min):	10.5
Flow Rate 1 Bar (L/min):	14.5
Flow Rate 2 Bar (L/min):	21
Flow Rate 3 Bar (L/min):	26
Colour:	Chrome



Key Features

- Create an aesthetic that is part of the constantly evolving contemporary style of present day
- Manufactured from high quality brass
- Coated in a luxury chrome finish
- Features anti scald safety stop at 38 degrees
- Includes water bracket with integrated water outlet
- Ceramic disc technology for long life & smooth operation
- Alternatively available in a square design

Technical Drawing



Dimensions: All measurements are in millimetres and are subject to normal manufacturing variations.

Due to a continuing development programme to improve design and performance, we reserve all rights to vary specifications without prior notice. Please note, all accessories are for photographic purposes only.