

Technical Datasheet

Product Code: SY-TIL10



Product Description: Synergy Tilly Back To Wall Pan

Specification

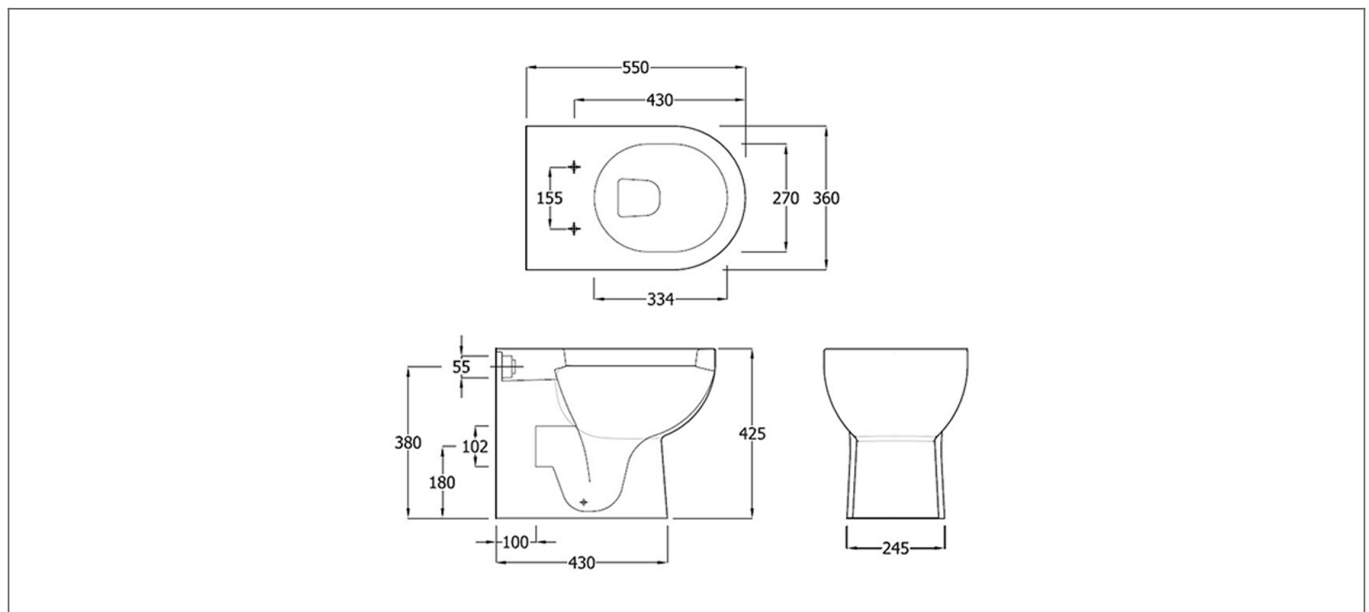
Product Guarantee:	Lifetime
Packaged Weight (kg):	25.5 kg
Material:	Vitreous China
Projection:	550
Style:	Modern
Includes Seat:	No



Key Features

- Modern curvaceous design with smooth & stylish lines
- Vitreous china's smooth, elegant, naturally stain resistant quality helps stand the test of time
- Suitable for use with back to wall WC furniture units
- Designed to hide unsightly pipework after installation
- Matching sanitaryware are also available in the Tilly range

Technical Drawing



Dimensions: All measurements are in millimetres and are subject to normal manufacturing variations.

Due to a continuing development programme to improve design and performance, we reserve all rights to vary specifications without prior notice. Please note, all accessories are for photographic purposes only.