

Technical Datasheet

Product Code: **SY-TIL08**



Product Description: **Synergy Tilly Close Coupled Cistern**

Specification

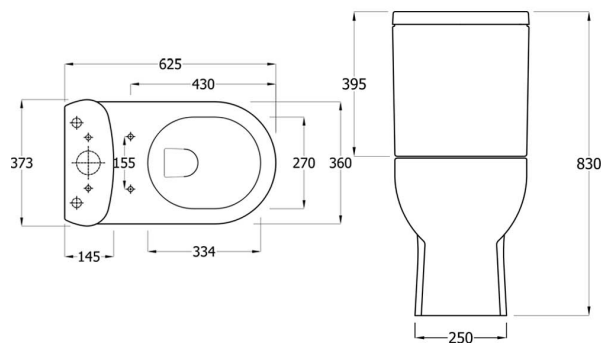
Product Guarantee:	Lifetime
Barcode:	SY-TIL08
Packaged Weight (kg):	14 kg
Material:	Vitreous China
Style:	Modern
Flush Type:	Push Button
Cistern Flush:	Dual Flush



Key Features

- Modern curvaceous design with smooth & stylish lines
- Manufactured from high quality white ceramic
- Water saving 3/6 litre dual flush push button
- Designed for installation with Tilly close coupled pan
- Chrome plated push button included for easy flushing system
- Matching sanitaryware are also available in the Tilly range

Technical Drawing



Dimensions: All measurements are in millimetres and are subject to normal manufacturing variations.

Due to a continuing development programme to improve design and performance, we reserve all rights to vary specifications without prior notice. Please note, all accessories are for photographic purposes only.