

Technical Datasheet

Product Code: **SY-G05BB**



Product Description: **Synergy Studio G Cold Start Mono Mxr BB**

Specification

Product Guarantee:	Lifetime
Barcode:	5056474512605
Material:	Brass
Handle Type:	Lever
Tap Pressure:	Low - High Pressure
Min Operating Pressure:	0.2 Bar
Waste Included:	Yes
Number Of Tap Holes:	1
Projection (mm):	111
Flow Rate 0.1 Bar (L/min):	3.8
Flow Rate 0.5 Bar (L/min):	9.1
Flow Rate 1 Bar (L/min):	12.3
Flow Rate 2 Bar (L/min):	14.7
Flow Rate 3 Bar (L/min):	17.3
Colour:	Brushed Brass



Key Features

- Clean, straight lines, uncluttered spaces. Embrace modernistic style from the 20th century
- Manufactured from high quality brass
- Coated in a luxury brushed brass finish
- Features lever control for a flawless level flow
- Matching brassware is also available in the Studio G range
- Supplied with G 1/4" sprung waste

Dimensions: All measurements are in millimetres and are subject to normal manufacturing variations.

Due to a continuing development programme to improve design and performance, we reserve all rights to vary specifications without prior notice. Please note, all accessories are for photographic purposes only.

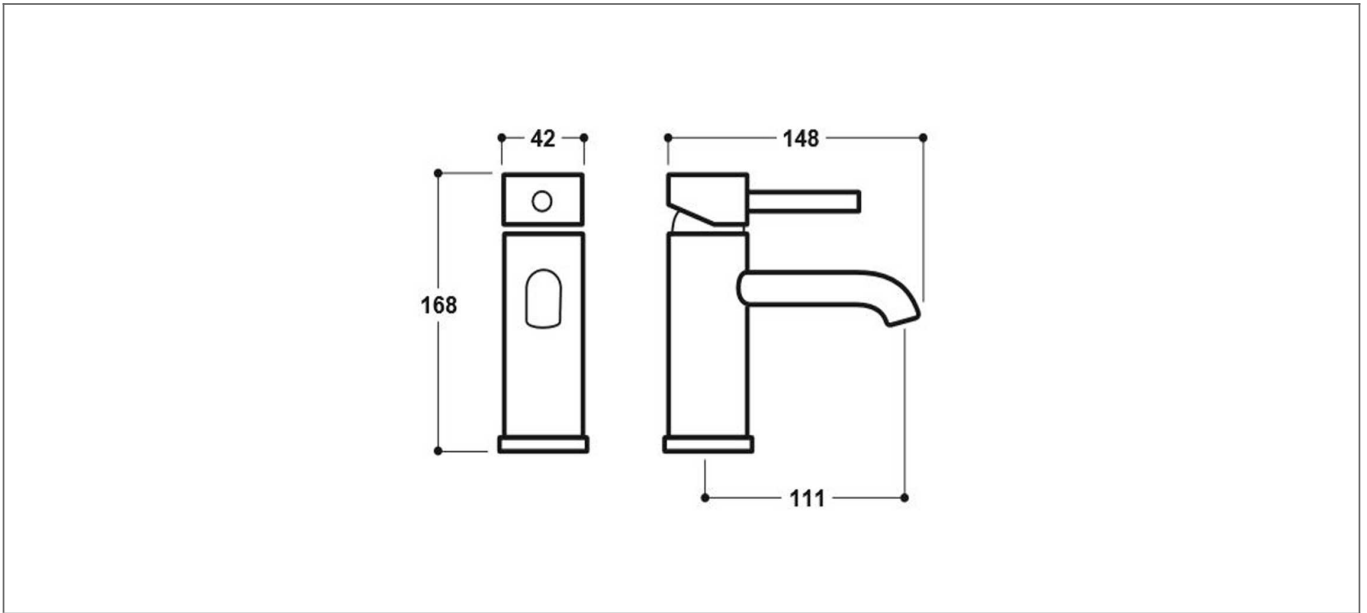
Technical Datasheet

Product Code: SY-G05BB



Product Description: Synergy Studio G Cold Start Mono Mxr BB

Technical Drawing



Dimensions: All measurements are in millimetres and are subject to normal manufacturing variations.

Due to a continuing development programme to improve design and performance, we reserve all rights to vary specifications without prior notice. Please note, all accessories are for photographic purposes only.