

Technical Datasheet

Product Code: SY-VOD6SD001-D



Product Description: Synergy Vodas 6+ 2 Door sliding Quad 800X800x1900

Specification

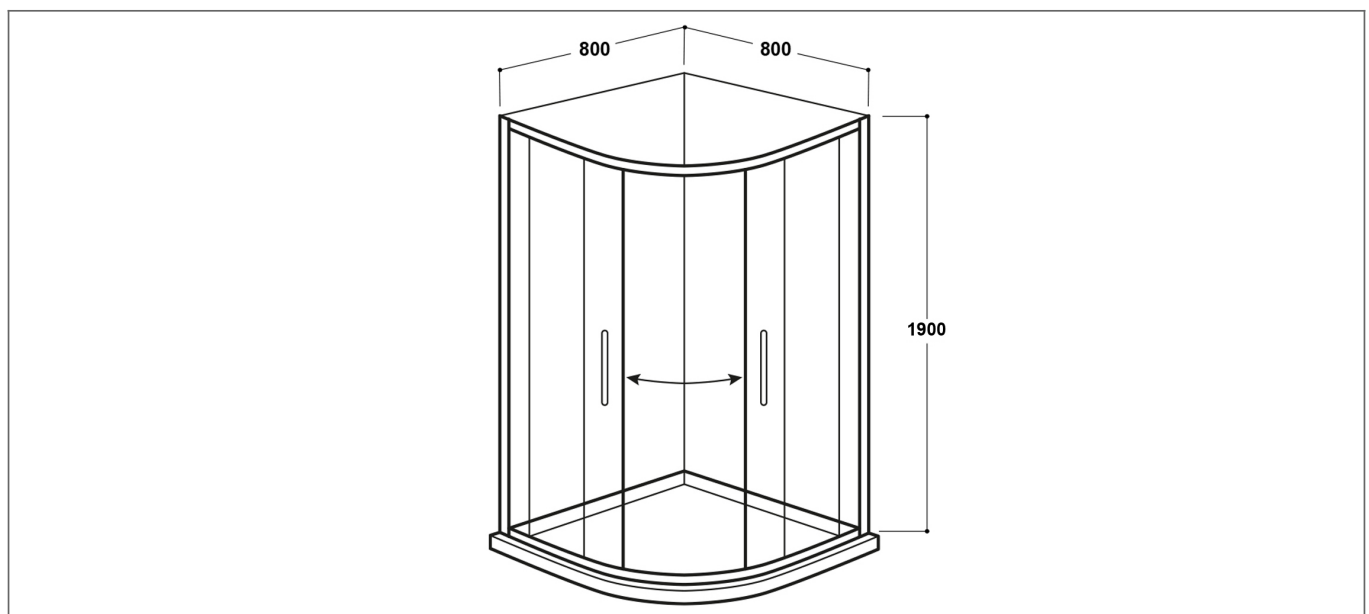
Material:	Glass
Style:	Modern
Shape:	Quadrant
Colour:	Clear
Adjustment (mm):	15
Orientation:	Vertical
Glass Style:	Tempered
Handle Type:	Bar
Product Guarantee:	Lifetime
Number Of Doors:	2
Barcode:	5056474501227
Product Length (mm):	60
Product Width (mm):	800
Product Height (mm):	1900



Key Features

- Manufactured from high quality 6mm safety glass (5mm fixed panel)
- Glass is coated in a nano technology preventing limescale
- Framed designs provide more stability & are more watertight
- Benefits from quality magnetic soft closing seals
- Features quick release double roller for easy access
- Includes chrome plated cover caps & handles

Technical Drawing



Dimensions: All measurements are in millimetres and are subject to normal manufacturing variations.

Due to a continuing development programme to improve design and performance, we reserve all rights to vary specifications without prior notice. Please note, all accessories are for photographic purposes only.