

# Technical Datasheet

Product Code: **SY-VOD6SD042-D**



Product Description: **Synergy Vodas 6+ Pivot Door 800x1900 Chrome**

## Specification

|                      |               |
|----------------------|---------------|
| Material:            | Glass         |
| Style:               | Modern        |
| Shape:               | Rectangular   |
| Colour:              | Clear         |
| Adjustment (mm):     | 40            |
| Orientation:         | Vertical      |
| Entry Width:         | 554           |
| Glass Style:         | Tempered      |
| Handle Type:         | Bar           |
| Product Guarantee:   | Lifetime      |
| Number Of Doors:     | 1             |
| Barcode:             | 5056474501623 |
| Product Length (mm): | 50            |
| Product Width (mm):  | 850           |
| Product Height (mm): | 1900          |



## Key Features

- Wide-ranging enclosure collection with modern expressive design
- Manufactured from high quality 6mm safety glass
- Features polished chrome profiles for a sparkling finish
- Suitable for use in a wetroom or with a shower tray
- Designed specifically for installation within an alcove
- Available in 700, 760, 800 & 900mm

Dimensions: All measurements are in millimetres and are subject to normal manufacturing variations.

Due to a continuing development programme to improve design and performance, we reserve all rights to vary specifications without prior notice. Please note, all accessories are for photographic purposes only.

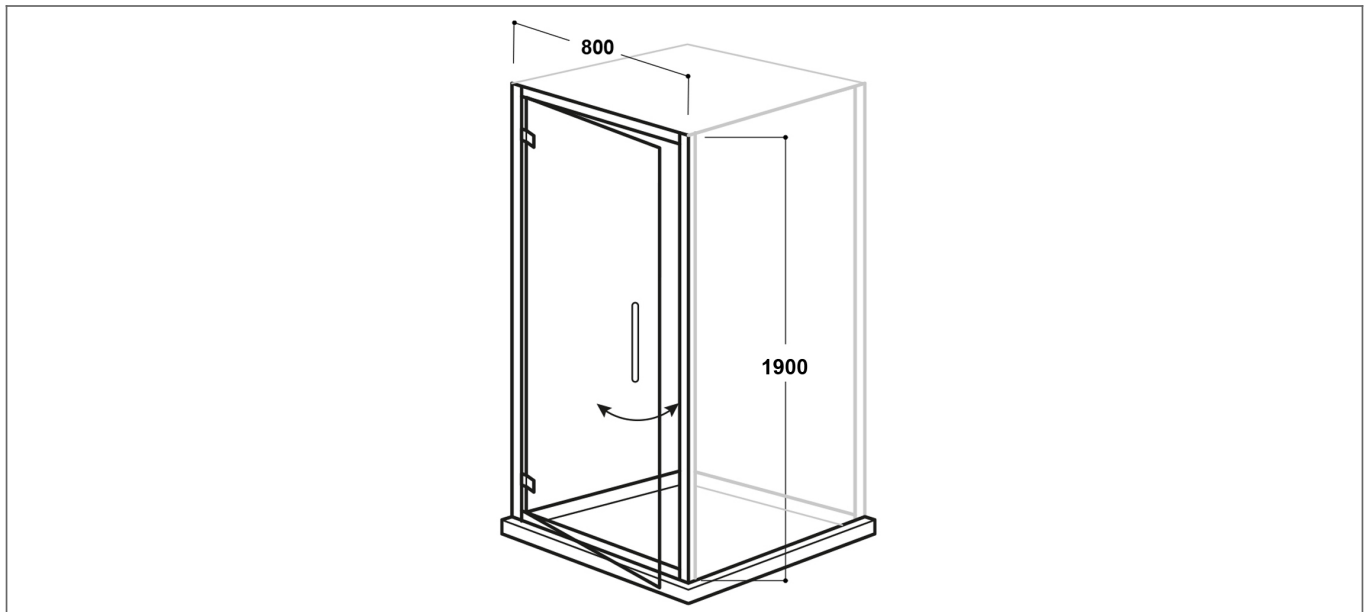
# Technical Datasheet

Product Code: SY-VOD6SD042-D



Product Description: Synergy Vodas 6+ Pivot Door 800x1900 Chrome

## Technical Drawing



Dimensions: All measurements are in millimetres and are subject to normal manufacturing variations.

Due to a continuing development programme to improve design and performance, we reserve all rights to vary specifications without prior notice. Please note, all accessories are for photographic purposes only.