

# Technical Datasheet

Product Code: SY-M342PREM



Product Description: Synergy Berg Cubic 1700 x 700mm No Tap Holes Premier Finish Double Ended Bath

## Specification

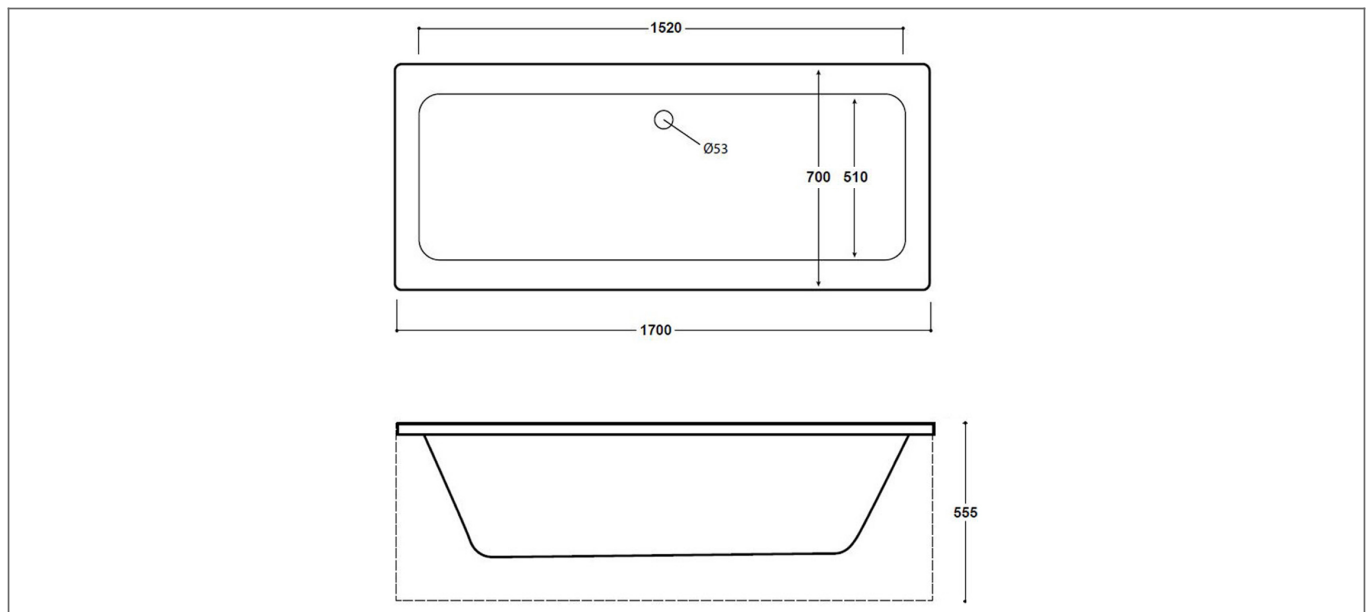
Material:	Acrylic
Style:	Modern
Shape:	Rectangular
Number Of Tap Holes:	0
Overflow Included:	No
Waste Included:	No
Bath Thickness:	4 mm
Product Guarantee:	Lifetime
Water Capacity (litres):	190
Made In the UK:	Yes



## Key Features

- Wide-ranging bathroom furniture collection with modern expressive design
- Manufactured from high quality 4mm white acrylic
- Ideal for free standing mixer use but can be drilled if needed
- Features heavily reinforced finish on underside of bath
- Finish provides exceptional strength & heat retention
- Panels & wastes are available to purchase from Synergy
- Leg set included for a quick & easy installation
- Also available in 1700x750, 1700x800 & 1800x800mm

## Technical Drawing



Dimensions: All measurements are in millimetres and are subject to normal manufacturing variations.

Due to a continuing development programme to improve design and performance, we reserve all rights to vary specifications without prior notice. Please note, all accessories are for photographic purposes only.