

Technical Datasheet

Product Code: SY-M343



Product Description: Synergy Berg 1700 x 800mm No Tap Holes Standard Double Ended Bath

Specification

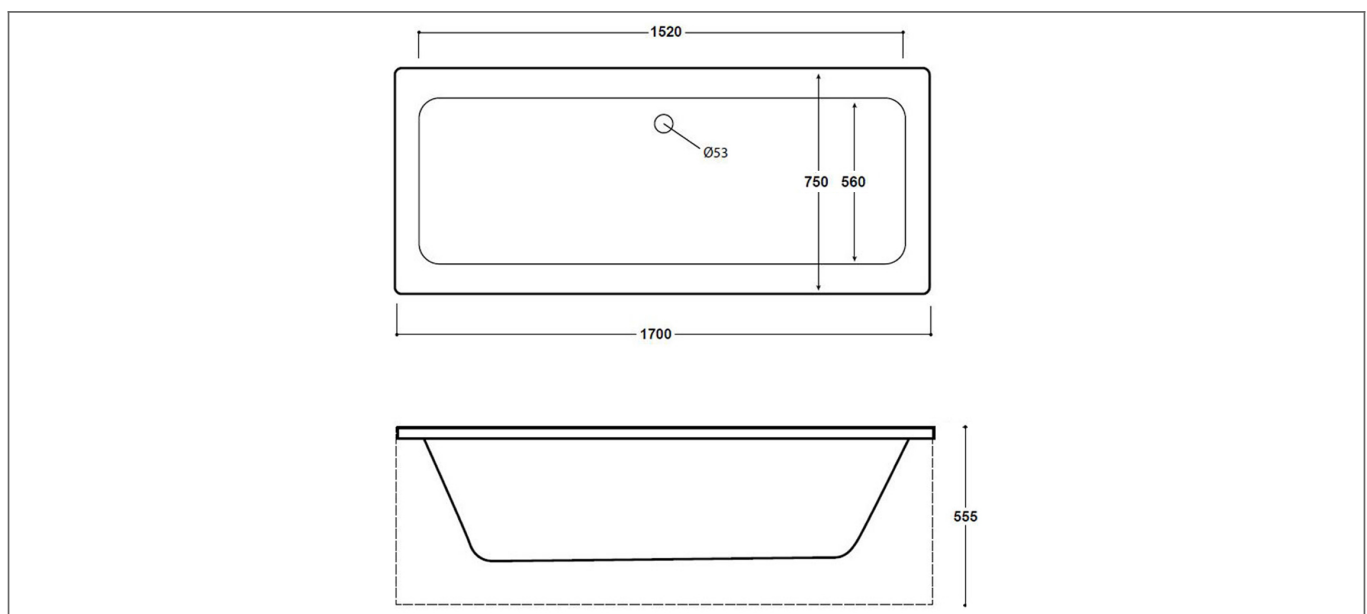
Material:	Acrylic
Style:	Modern
Shape:	Rectangular
Number Of Tap Holes:	0
Overflow Included:	No
Waste Included:	No
Bath Thickness:	5 mm
Product Guarantee:	Lifetime
Water Capacity (litres):	200
Made In the UK:	Yes



Key Features

- Clean, straight lines, uncluttered spaces. Embrace modernistic style from the 20th century
- Manufactured from high quality 5mm white acrylic
- Ideal for free standing mixer use but can be drilled if needed
- Panels & wastes are available to purchase from Synergy
- Leg set included for a quick & easy installation
- Also available in 1700x700, 1700x750 & 1800x800mm
- Alternative premier finish available from the Berg Cubic range

Technical Drawing



Dimensions: All measurements are in millimetres and are subject to normal manufacturing variations.

Due to a continuing development programme to improve design and performance, we reserve all rights to vary specifications without prior notice. Please note, all accessories are for photographic purposes only.