



# Lace

## Lace mono basin mixer

Product Code: LACE113

Finish: Chrome

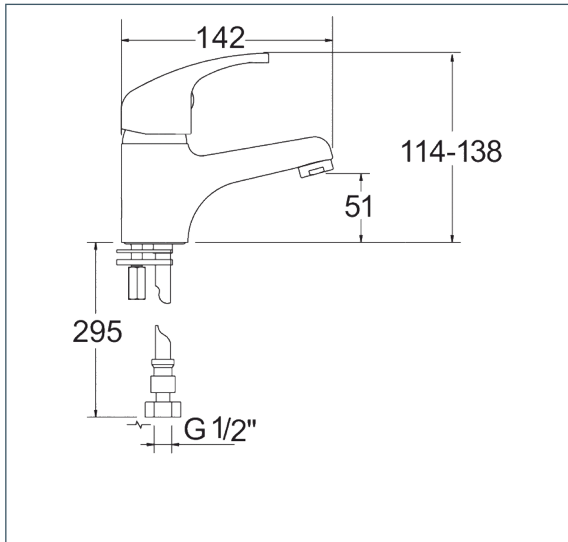
### Features

Construction:	Brass
Valve/Cartridge type:	Ceramic Cartridge
Supply:	Suitable for all plumbing systems
Working Pressures:	0.2 - 5.0 bar
Inlet connections:	1/2" BSP
Flexi or Copper:	Flexi Tails

- Ceramic cartridge for smooth operation
- Tilt and turn temperature and flow control
- Comes complete with press top waste
- Products which are easy to use by all the family



\*Please refer to website for full warranty details.



### Flow (Bar - l/min, open outlet)

#### Spout

Flow 0.1	Flow 0.3	Flow 0.5	Flow 1.0	Flow 2.0	Flow 3.0	Flow 4.0	Flow 5.0
4.9	8.6	11	15.8	22.3	27.2		



1503015

