



Insignia

Insignia basin taps

Product Code: INS101

Finish: Chrome

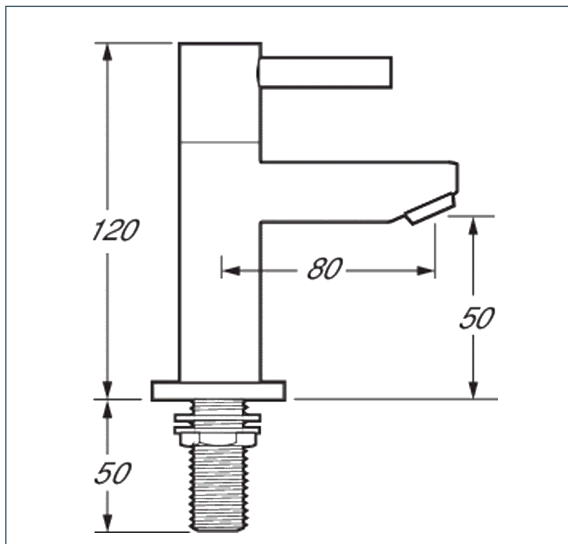
Features

Construction:	Brass
Valve/Cartridge type:	Ceramic Disc
Supply:	Suitable for all plumbing systems
Working Pressures:	0.2 - 5.0 bar
Inlet connections:	1/2" BSP
Flexi or Copper:	Plastic Backnuts

- 1/4 turn ceramic handles ensure a smooth operation
- Products which are easy to use by all the family



*Please refer to website for full warranty details.



Flow (Bar - l/min, open outlet)

Spout

Flow 0.1	Flow 0.3	Flow 0.5	Flow 1.0	Flow 2.0	Flow 3.0	Flow 4.0	Flow 5.0
5	10	13	16	19.5	25	30	34

**12 YEAR
GUARANTEE**
ON ALL DEVA
CHROME TAPS
*TERMS APPLY