



DCM

Profile basin taps

Product Code: DCM101

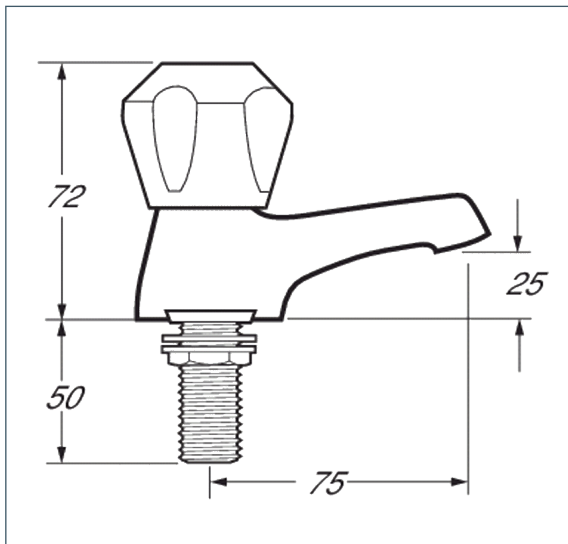
Finish: Chrome

Features

- Construction: Brass
- Valve/Cartridge type: Standard
- Supply: Suitable for all plumbing systems
- Working Pressures: 0.1 - 5.0 bar
- Inlet connections: 1/2" BSP
- Flexi or Copper: Plastic Backnuts



*Please refer to website for full warranty details.



Flow (Bar - l/min, open outlet)

Spout

Flow 0.1	Flow 0.3	Flow 0.5	Flow 1.0	Flow 2.0	Flow 3.0	Flow 4.0	Flow 5.0
8	11.5	16	18	20	25	30	34

