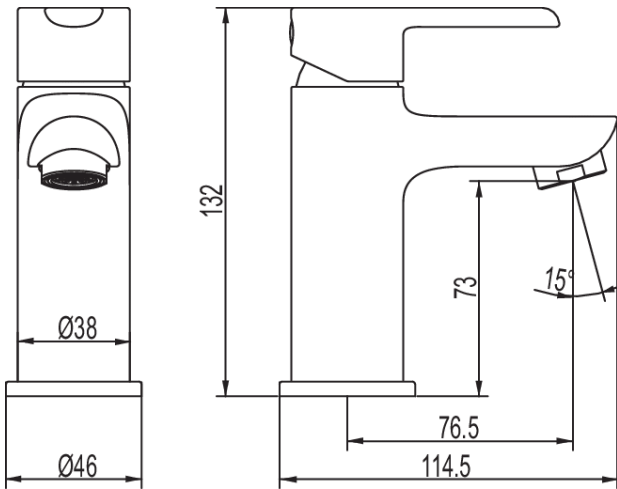


## KEA MINI BASIN MIXER



**CONSTRUCTION:** Brass

**CARTRIDGE/VALVE TYPE:** Ceramic Cartridge

**SUPPLY:** Suitable for high pressure only

**INLET CONNECTIONS:** 1/2" BSP

**WORKING PRESSURES:** 0.5 - 5.0 bar

**OPERATION:** Single lever flow and temperature control

- Ceramic cartridge for smooth operation
- Slim stream aerator with directional swivel
- Products which are easy to use by all the family

### KEBMCPUK

### Chrome

#### Open Outlet Flow (Bar - l/min)

BAR	0.3	0.5	1.0	2.0	3.0	4.0	5.0
SPOUT FLOW	4.8	5.6	7	7	7	7	7



Please Note: Flow rate will be dictated by installation configurations.  
Please ensure to check the appropriate flow restrictor information if applicable.  
\*Please refer to website for full warranty details.

**FREEPHONE: 0800 195 1602 | FAX ORDERS: 08444 068 690 | EMAIL: SALES@UK.METHVEN.COM**

[methven.com](http://methven.com)

THE INFORMATION ON THIS SPECIFICATION DOCUMENT WAS CORRECT AT THE DATE OF ISSUE. SOME VARIATION MAY OCCUR DUE TO THE MANUFACTURING TOLERANCES AND SITE SPECIFIC CONDITIONS.