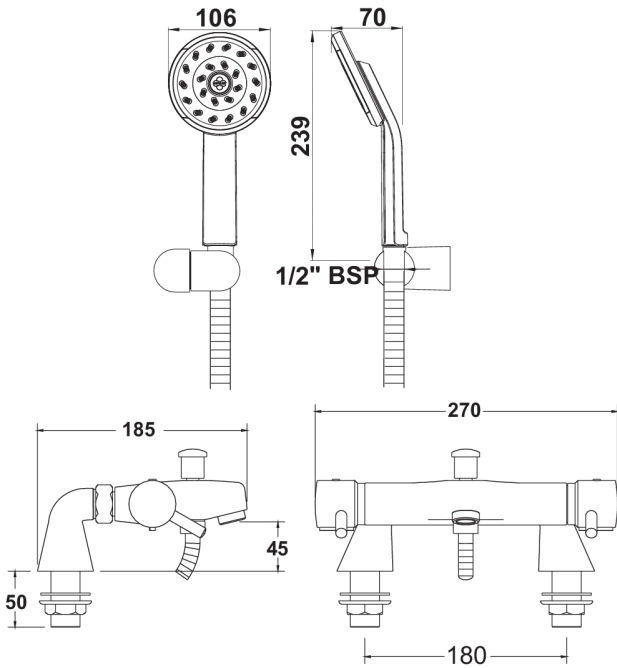


KIRI THERMOSTATIC PILLAR MOUNTED BATH SHOWER MIXER



CONSTRUCTION: Brass & ABS
CARTRIDGE/VALVE TYPE: Thermostatic
SUPPLY: Suitable for high pressure only
INLET CONNECTIONS: 3/4" BSP
WORKING PRESSURES: 1.0 - 5.0 bar
OPERATION: Separate Flow And Temperature Controls

- TMV2 approved valve
- Thermostatic valve with 38°C temperature stop (*with override*)
- Complete with Kiri Satinjet handset & wall bracket
- Supplied with 9l/min flow regulator
- Single mode functions
- Products which are easy to use by all the family

TLV106

Open Outlet Flow (Bar - l/min)

BAR	0.3	0.5	1.0	2.0	3.0	4.0	5.0
SPOUT FLOW	7.9	11	15.9	22.8	28	32.5	36.1
HANDSET FLOW	8	10.9	9	9	9	9	9

Chrome & Graphite



2009909



Please Note: Flow rate will be dictated by installation configurations.
 Please ensure to check the appropriate flow restrictor information if applicable.
 *Please refer to website for full warranty details.

BC1280/0713

FREEPHONE: 0800 195 1602 | FAX ORDERS: 08444 068 690 | EMAIL: SALES@UK.METHVEN.COM

methven.com

THE INFORMATION ON THIS SPECIFICATION DOCUMENT WAS CORRECT AT THE DATE OF ISSUE. SOME VARIATION MAY OCCUR DUE TO THE MANUFACTURING TOLERANCES AND SITE SPECIFIC CONDITIONS.