



Georgian

Georgian gold pillar mounted bath filler

Product Code: GE08/501

Finish: Gold

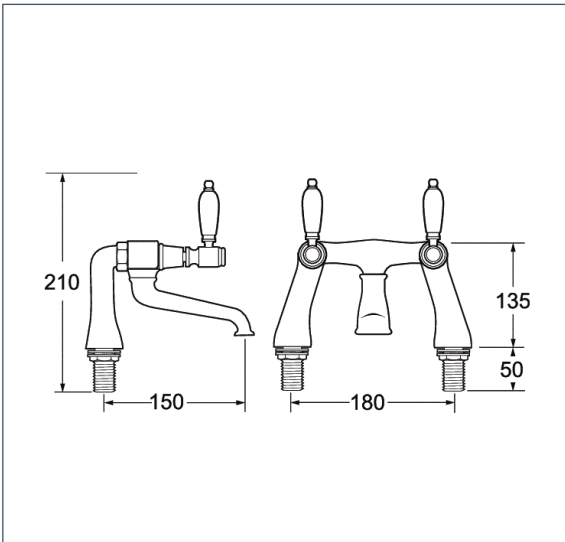
Features

Construction:	Brass & Resin
Valve/Cartridge type:	Ceramic Disc
Supply:	Suitable for all plumbing systems
Working Pressures:	0.3 - 5.0 bar
Inlet connections:	3/4" BSP
Flexi or Copper:	Plastic Backnuts

- Product can be wall or deck mounted
- 1/4 turn ceramic handles ensure a smooth operation
- Products which are easy to use by all the family



*Please refer to website for full warranty details.



Flow (Bar - l/min, open outlet)

Spout

Flow 0.1	Flow 0.3	Flow 0.5	Flow 1.0	Flow 2.0	Flow 3.0	Flow 4.0	Flow 5.0
6	9.3	13	16	20	25	30	34



2101802



2009726

5 YEAR GUARANTEE

*TERMS APPLY