



# Insignia

## Insignia basin taps

Product Code: INS101

Finish: Chrome

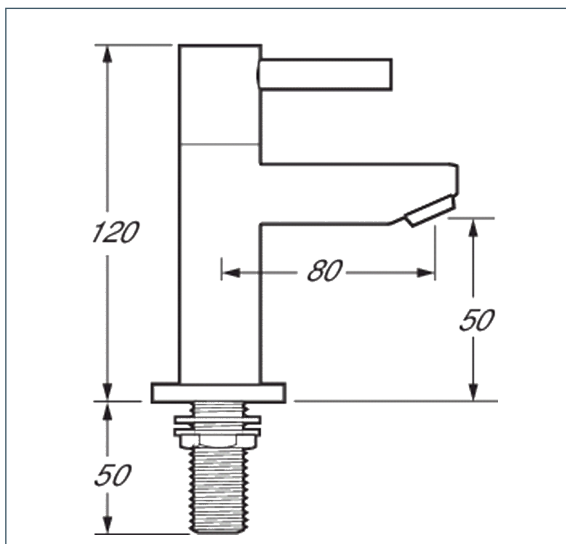
### Features

Construction:	Brass
Valve/Cartridge type:	Ceramic Disc
Supply:	Suitable for all plumbing systems
Working Pressures:	0.2 - 5.0 bar
Inlet connections:	1/2" BSP
Flexi or Copper:	Plastic Backnuts

- 1/4 turn ceramic handles ensure a smooth operation
- Products which are easy to use by all the family



\*Please refer to website for full warranty details.



### Flow (Bar - l/min, open outlet)

#### Spout

Flow 0.1	Flow 0.3	Flow 0.5	Flow 1.0	Flow 2.0	Flow 3.0	Flow 4.0	Flow 5.0
5	10	13	16	19.5	25	30	34



2010072

