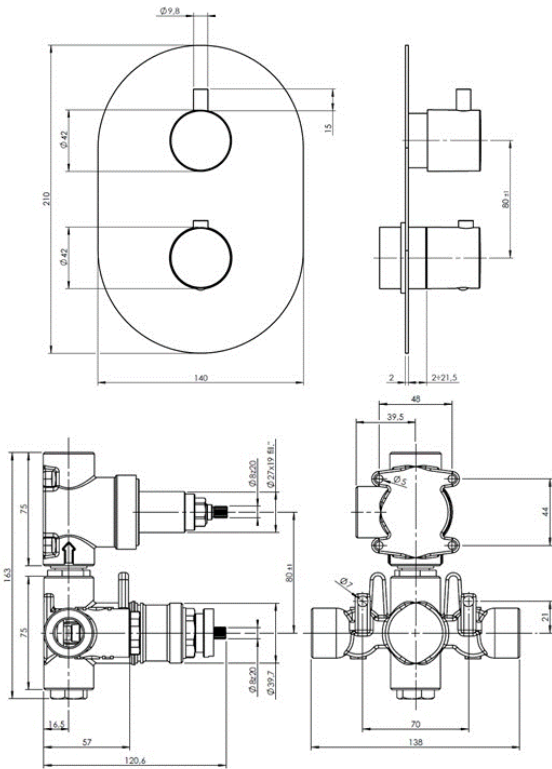


KAHA 2 DIRECTION CONCEALED SHOWER BLACK



CONSTRUCTION: Brass

CARTRIDGE/VALVE TYPE: Thermostatic

SUPPLY: Suitable for all plumbing systems

INLET CONNECTIONS: 15mm Compression

WORKING PRESSURES: 0.1 - 5.0 bar

OPERATION: Separate Flow And Temperature Controls

- On trend Matte Black finish for a designer look
- Diverter Cartridge to two outlets
- 38°C temperature hot stop with override facility
- Brass concealing plate
- Front access filters - No need to disconnect shower from water supply during maintenance
- Concealed shower spindle extension available
- Can be purchased as Separate Valve and Trims - VALVE 2D & TR KAHA 2DBK

KAHA-2DBK

Matte Black

Open Outlet Flow (Bar - l/min)

BAR	0.3	0.5	1.0	2.0	3.0	4.0	5.0
FLOW	11.1	14.7	21.9	31.3	38.5	44.3	50



1805395



NSF2345/0221

Please Note: Flow rate will be dictated by installation configurations.
Please ensure to check the appropriate flow restrictor information if applicable.
*Please refer to website for full warranty details.

FREEPHONE: 0800 195 1602 | FAX ORDERS: 08444 068 690 | EMAIL: SALES@UK.METHVEN.COM

methven.com

THE INFORMATION ON THIS SPECIFICATION DOCUMENT WAS CORRECT AT THE DATE OF ISSUE. SOME VARIATION MAY OCCUR DUE TO THE MANUFACTURING TOLERANCES AND SITE SPECIFIC CONDITIONS.