



Non Concussive

Non concussive self closing pillar basin tap

Product Code: CORM03

Finish: Chrome

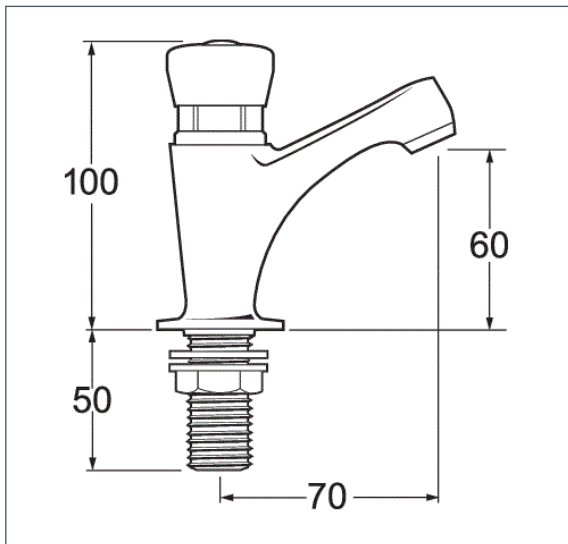
Features

Construction:	Brass
Valve/Cartridge type:	Self closing
Supply:	Suitable for all plumbing systems
Working Pressures:	0.2 - 3.0 bar
Operating Temperature:	Hot: Max 43°C, Cold: Min 5°C
Inlet connections:	½" BSP
Flexi or Copper:	Plastic Backnuts

- Self closing basin tap
- Pre-set automatic shut off after approximately 10 seconds
- Recommended for use with a blending valve
- Products which are easy to use by all the family
- Additional set of Hot & cold indices supplied
- Sold as singles



*Please refer to website for full warranty details.



Flow (Bar - l/min, open outlet)

Spout

Flow 0.1	Flow 0.3	Flow 0.5	Flow 1.0	Flow 2.0	Flow 3.0	Flow 4.0	Flow 5.0
N/A	4.5	5.5	8.3	12.2	12.4	N/A	N/A



2110717



2109362

