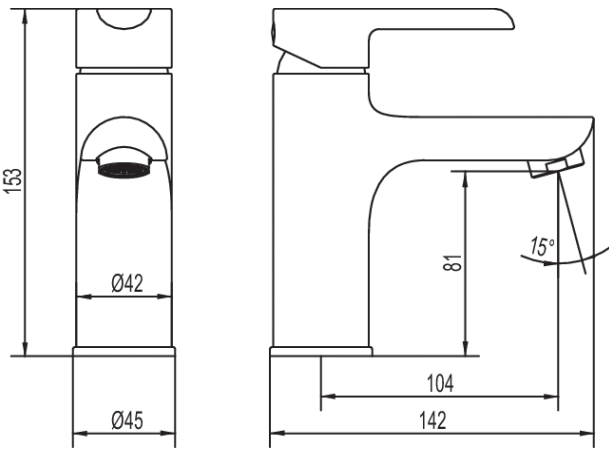


KEA MONO BASIN MIXER



CONSTRUCTION: Brass

CARTRIDGE/VALVE TYPE: Ceramic cartridge

SUPPLY: Suitable For All Plumbing Systems

INLET CONNECTIONS: 1/2" BSP

WORKING PRESSURES: 0.3 - 5.0 bar

OPERATION: Single lever flow and temperature control

- Ceramic cartridge for smooth operation
- Slim stream aerator with directional swivel
- Includes 7l/min flow regulator fitted
- Includes clicker waste
- Products which are easy to use by all the family

KEBCPUK

Open Outlet Flow (Bar - l/min)

BAR	0.3	0.5	1.0	2.0	3.0	4.0	5.0
SPOUT FLOW	2.9	3.8	5.4	6.8	6.9	7.2	7.4

Chrome



2004357

2003791

Please Note: Flow rate will be dictated by installation configurations.
Please ensure to check the appropriate flow restrictor information if applicable.
*Please refer to website for full warranty details.

FREEPHONE: 0800 195 1602 | FAX ORDERS: 08444 068 690 | EMAIL: SALES@UK.METHVEN.COM

methven.com

THE INFORMATION ON THIS SPECIFICATION DOCUMENT WAS CORRECT AT THE DATE OF ISSUE. SOME VARIATION MAY OCCUR DUE TO THE MANUFACTURING TOLERANCES AND SITE SPECIFIC CONDITIONS.