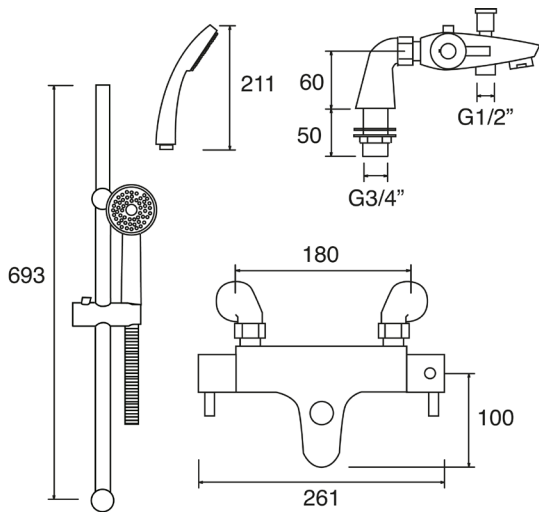


THERMOSTATIC BATH SHOWER MIXER WITH KIT



CONSTRUCTION: Brass & ABS

CARTRIDGE/VALVE TYPE: Thermostatic

SUPPLY: Suitable For High Pressure Systems

INLET CONNECTIONS: 3/4" BSP

WORKING PRESSURES: 1.0 - 5.0 bar

OPERATION: Separate Flow And Temperature Controls

- Thermostatic Valve With 38°C Temperature Stop (With Override)
- Single Mode Handset With Adjustable Rail
- Products Which Are Easy To Use By All The Family

TLVBSM1B

Chrome

Open Outlet Flow (Bar - l/min)

BAR	0.3	0.5	1.0	2.0	3.0	4.0	5.0
SPOUT FLOW	7.2	9.4	13.5	19.2	23.5	27	30.4
HANDSET FLOW	7	9	13	15	19	21	24



2104905



NSF2460/0421

Please Note: Flow rate will be dictated by installation configurations.
Please ensure to check the appropriate flow restrictor information if applicable.
*Please refer to website for full warranty details.

FREEPHONE: 0800 195 1602 | FAX ORDERS: 08444 068 690 | EMAIL: SALES@UK.METHVEN.COM

methven.com

THE INFORMATION ON THIS SPECIFICATION DOCUMENT WAS CORRECT AT THE DATE OF ISSUE. SOME VARIATION MAY OCCUR DUE TO THE MANUFACTURING TOLERANCES AND SITE SPECIFIC CONDITIONS.