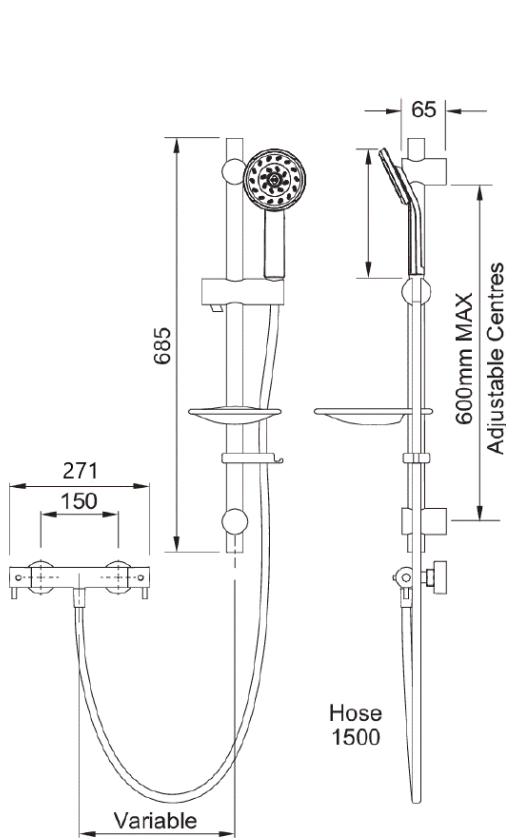


KIRI COOL TO TOUCH BAR SHOWER



CONSTRUCTION: Brass & ABS
SUPPLY: Suitable For High Pressure Systems
INLET CONNECTIONS: 15mm Compression
WORKING PRESSURES: 0.5 - 5.0 bar
CARTRIDGE/VALVE TYPE:Thermostatic

- Safe cool to touch body
- 38°C temperature stop with override facility
- Includes easy fit connections
- Easy to use handset slider
- Includes Kiri Satinjet® handset
- Smooth easy clean 1.5m hose
- Supplied with 8l/min flow regulator

KCTS

Open Outlet Flow (Bar - l/min)

BAR	0.3	0.5	1.0	2.0	3.0	4.0	5.0
HANDBSET FLOW	6	7.3	7.5	7.8	8.3	-	-

Chrome & Graphite



2211909



NSF2461/0421

Please Note: Flow rate will be dictated by installation configurations.
 Please ensure to check the appropriate flow restrictor information if applicable.
 *Please refer to website for full warranty details.

FREEPHONE: 0800 195 1602 | FAX ORDERS: 08444 068 690 | EMAIL: SALES@UK.METHVEN.COM

methven.com

THE INFORMATION ON THIS SPECIFICATION DOCUMENT WAS CORRECT AT THE DATE OF ISSUE. SOME VARIATION MAY OCCUR DUE TO THE MANUFACTURING TOLERANCES AND SITE SPECIFIC CONDITIONS.