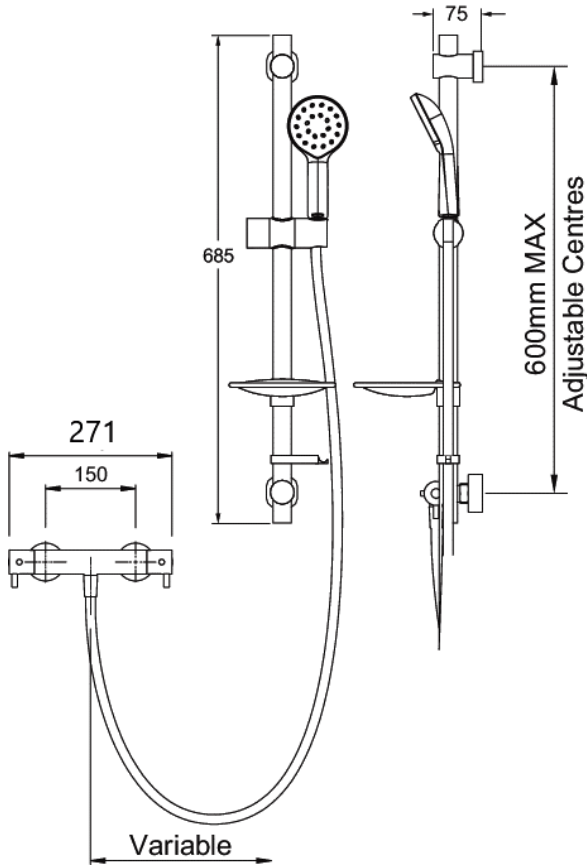


## KIRI MK2 COOL TO TOUCH BAR SHOWER WITH EASY FIT SHOWER KIT



**CONSTRUCTION:** Brass & ABS

**SUPPLY:** Suitable for high pressure only

**INLET CONNECTIONS:** 1/2" BSP

**WORKING PRESSURES:** 1.0 - 5.0 bar

**CARTRIDGE/VALVE TYPE:** Thermostatic

- Safe cool to touch body
- 38°C temperature hot stop with override facility
- Easy to fit shower rail - simply twist and lock brackets into place
- Includes Kiri MK2 Satinjet handset
- Smooth easy clean 1.5m hose
- Includes easy fit connections
- Satinjet® technology twin jets of water collide into thousands of tiny droplets to deliver voluminous shower coverage

KRCTSEFCP

Chrome

### Open Outlet Flow (Bar - l/min)

BAR	0.3	0.5	1.0	2.0	3.0	4.0	5.0
HANSET FLOW	N/A	N/A	9	9	9	9	9



Please Note: Flow rate will be dictated by installation configurations.

Please ensure to check the appropriate flow restrictor information if applicable.

\*Please refer to website for full warranty details.

**FREEPHONE: 0800 195 1602 | FAX ORDERS: 08444 068 690 | EMAIL: SALES@UK.METHVEN.COM**

THE INFORMATION ON THIS SPECIFICATION DOCUMENT WAS CORRECT AT THE DATE OF ISSUE. SOME VARIATION MAY OCCUR DUE TO THE MANUFACTURING TOLERANCES AND SITE SPECIFIC CONDITIONS.



NSF2461/0421

methven.com