



Lever

Lever action deck mounted bath filler spec version

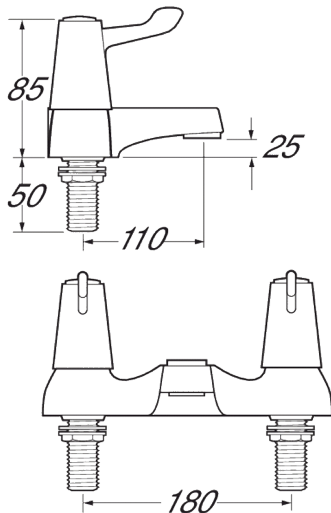
Product Code: DLT108

Finish: Chrome

Features

- Construction: Brass
- Valve/Cartridge type: Ceramic Disc
- Supply: Suitable for all plumbing systems
- Working Pressures: 0.2 - 5.0 bar
- Inlet connections: 3/4" BSP
- Flexi or Copper: Brass Backnuts

- 1/4 turn ceramic handles ensure a smooth operation
- Products which are easy to use by all the family



*Please refer to website for full warranty details.

Flow (Bar - l/min, open outlet)

Spout

Flow 0.1	Flow 0.3	Flow 0.5	Flow 1.0	Flow 2.0	Flow 3.0	Flow 4.0	Flow 5.0
7.5	13	15.5	16.5	19	24	28	34

12 YEAR GUARANTEE
ON ALL DEVA CHROME TAPS
*TERMS APPLY