



Flow Regulator - 4 L/

Flow regulator for basin and sink 4 lpm - Branded Packaging

Product Code:FR101-4

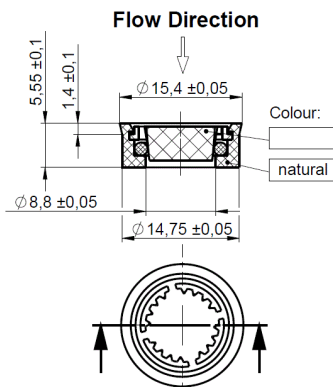
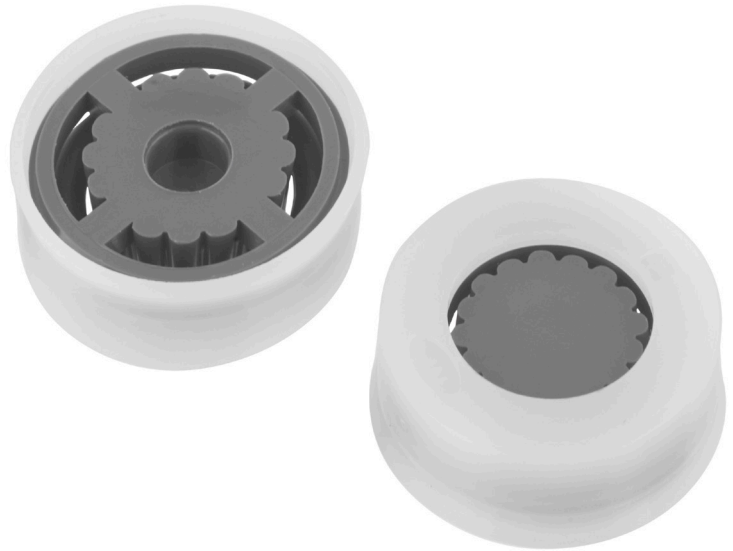
Finish: Plastic

Features

Construction: Plastic

Inlet Connections: N/A

- Fits Basin And Sink Taps Showing The Symbol To Reduce Water Consumption
- Regulates Flow Constantly To The L/Min Shown



*Please refer to website for full warranty details.



2007800

