



# Sparkle Mk2

Sparkle MK2 Mono Basin Mixer

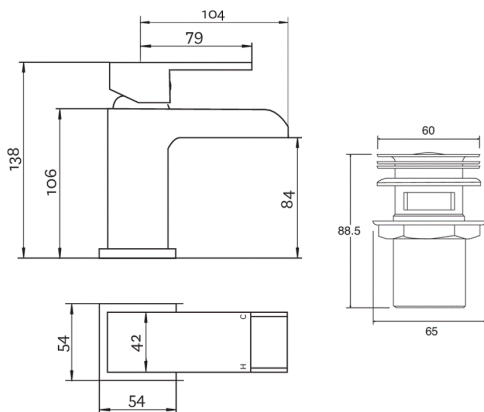
Product Code: SPA2113

Finish: Chrome

## Features

- Construction:** Brass
- Valve/Cartridge type:** 35mm Ceramic Cartridge
- Supply:** Suitable For Low Pressure Systems
- Working Pressures:** 0.1 - 5.0 bar
- Inlet connections:** ½" BSP
- Flexi or Copper:** Flexi Tails - M10 - 400mm

- Ceramic Cartridge For Smooth Operation
- Tilt And Turn Temperature And Flow Control
- Comes Complete With Press Top Waste
- Products Which Are Easy To Use By All The Family
- In Full Colour Packaging



\*Please refer to website for full warranty details.

## Flow (Bar - l/min, open outlet)

### Spout

| Flow 0.1 | Flow 0.3 | Flow 0.5 | Flow 1.0 | Flow 2.0 | Flow 3.0 | Flow 4.0 | Flow 5.0 |
|----------|----------|----------|----------|----------|----------|----------|----------|
| 4.1      | 6.5      | 8.8      | 12.8     | 18.4     | 22.6     | 26.1     | 29.3     |



2010075

