



Lace Range

Lace basin taps

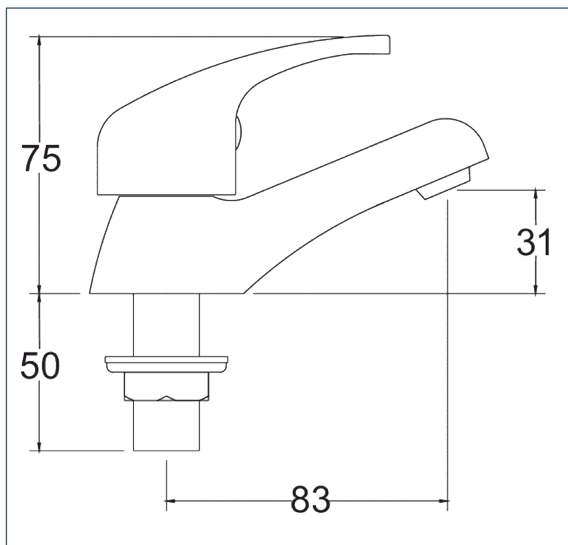
Product Code: LACE101

Finish: Chrome

Features

- Construction:** Brass
- Valve/Cartridge type:** Ceramic Disc
- Supply:** Suitable For All Plumbing Systems
- Working Pressures:** 0.1 - 5.0 bar
- Inlet connections:** 1/2" BSP
- Flexi or Copper:** N/A

- 1/4 turn ceramic handles ensure a smooth operation
- Products which are easy to use by all the family



Flow (Bar - l/min, open outlet)

Spout

Flow 0.1	Flow 0.3	Flow 0.5	Flow 1.0	Flow 2.0	Flow 3.0	Flow 4.0	Flow 5.0
4.3	6.7	8.9	12.8	18.4	22.7	26.2	29.4



2006759



2006347

