



Adore

Adore Sink Mixer c/w Flexi Tails

Product Code: ADORE171F

Finish: Chrome

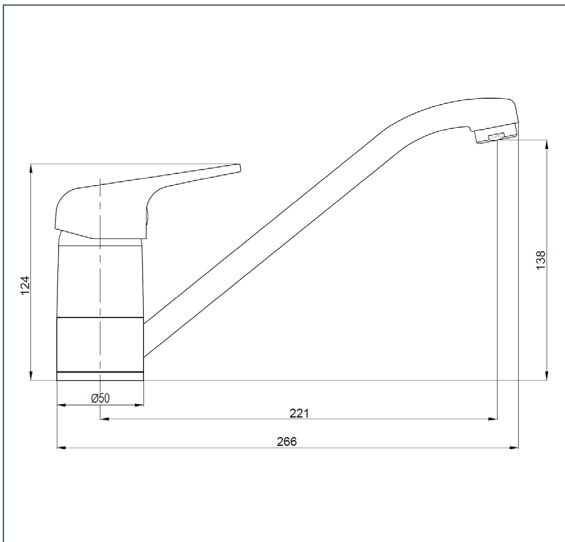
Features

- Construction:** Brass
- Valve/Cartridge type:** Ceramic Cartridge
- Supply:** Suitable For Low Pressure Systems
- Working Pressures:** 0.1 - 5.0 bar
- Inlet connections:** 1/2" BSP
- Flexi or Copper:** Flexi Tails - M10 - 400mm

- Ceramic Cartridge For Smooth Operation And Longer Life
- Tilt And Turn Temperature And Flow Control
- Swivel Spout
- Complete With 2 X 300Mm Flexi Tails
- Products Which Are Easy To Use By All The Family



*Please refer to website for full warranty details.



Flow (Bar - l/min, open outlet)

Spout

| Flow 0.1 | Flow 0.3 | Flow 0.5 | Flow 1.0 | Flow 2.0 | Flow 3.0 | Flow 4.0 | Flow 5.0 |
|----------|----------|----------|----------|----------|----------|----------|----------|
| 3.9 | 6.2 | 8.4 | 12.2 | 17.5 | 21.6 | 25 | 28 |



2504729



250504024

