



Coronation

Coronation Bath Taps

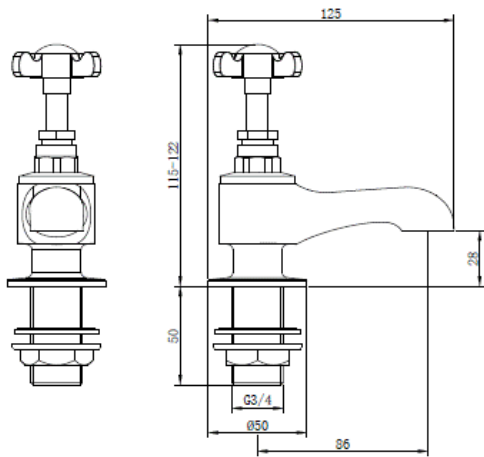
Product Code: CR20

Finish: Chrome

Features

- Construction:** Brass
- Valve/Cartridge type:** Non-rising Spindle Headworks
- Supply:** Suitable For Low Pressure Systems
- Working Pressures:** 0.1 - 5.0 bar
- Inlet connections:** 3/4" BSP
- Flexi or Copper:** N/A

- Suitable For High & Low Pressure Systems
- Non-Rising Spindle Headworks
- Single Flow Taps
- Brass Backnuts
- Optimised For Bath Filling



*Please refer to website for full warranty details.

Flow (Bar - l/min, open outlet)

Spout

Flow 0.1	Flow 0.3	Flow 0.5	Flow 1.0	Flow 2.0	Flow 3.0	Flow 4.0	Flow 5.0
16.1	23.6	30.9	44.2	63.2	77.1	86.8	95.4



2505722



250604014

