



Coronation

Coronation High Neck Sink Taps

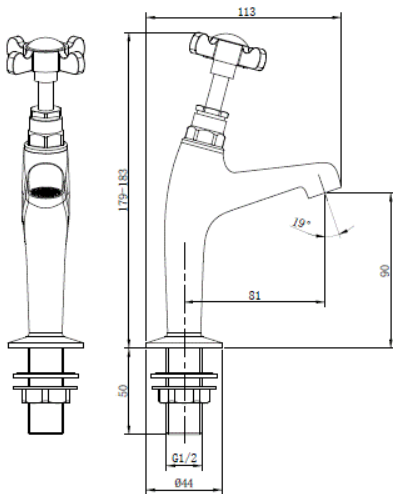
Product Code: CR27A

Finish: Chrome

Features

- Construction:** Brass
- Valve/Cartridge type:** Non-rising Spindle Headworks
- Supply:** Suitable For Low Pressure Systems
- Working Pressures:** 0.1 - 5.0 bar
- Inlet connections:** 1/2" BSP
- Flexi or Copper:** N/A

- Complete with brass backnuts
- Suitable For High & Low Pressure Systems
- Non-Rising Spindle Headworks



*Please refer to website for full warranty details.

Flow (Bar - l/min, open outlet)

Spout

Flow 0.1	Flow 0.3	Flow 0.5	Flow 1.0	Flow 2.0	Flow 3.0	Flow 4.0	Flow 5.0
3.3	4.8	6.3	8.9	12.7	15.6	18.1	20.2



250715308

