



Coronation

Coronation Basin Mixer & Press Top Waste

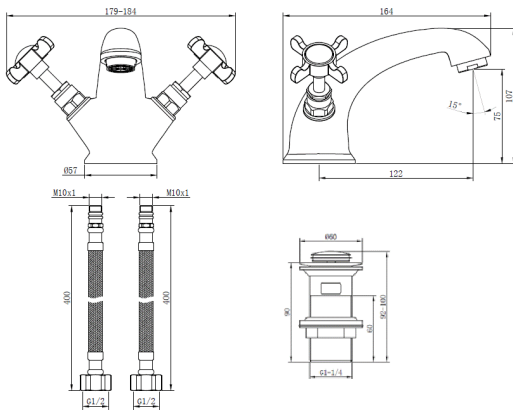
Product Code: CR24

Finish: Chrome

Features

- Construction:** Brass
- Valve/Cartridge type:** Non-rising Spindle Headworks
- Supply:** Suitable For Low Pressure Systems
- Working Pressures:** 0.1 - 5.0 bar
- Inlet connections:** 1/2" BSP
- Flexi or Copper:** Flexi Tails - M10 - 300mm

- Suitable For High & Low Pressure Systems
- Non-Rising Spindle Headworks
- Single Flow Taps
- Pre-Fitted Flow Straightener
- Supplied With 2 X 300mm Flexi Tails
- Complete With Press Top Waste



*Please refer to website for full warranty details.

Flow (Bar - l/min, open outlet)

Spout

Flow 0.1	Flow 0.3	Flow 0.5	Flow 1.0	Flow 2.0	Flow 3.0	Flow 4.0	Flow 5.0
3.2	4.7	6.1	8.6	12.2	15.1	17.5	19.6



2503726



250404003

